

Gourmet Equipment (Taiwan) Corporation

 LUG NUTS (1)

 LUG BOLTS (33)

 WHEEL LOCKS (45)

 SOCKETS & ADAPTERS (53)

 WHEEL STUDS (55)

 COLOR CODED HUB RINGS (56)

 PACKAGING (61)





Standard Acorn

STANDARD ACORN LUG NUTS

Material - AISI 1008 ~ 1010

Finish - Zinc, Triple Nickel/Chrome

Durability - Zinc 72hr salt spray,
Nickel/Chrome 96hr salt spray

Hardness Treatment - Carbonized

Design - Open-end, 2pc Cold Forged/welded cap,
OEM GM

Other Finish Available - Electronic Disposition
Blue & Red, Black Chrome,
24 Karat Gold



O/E Acorn 19mm Hex Heat Treat

PART #	THREAD SIZE
600035HT	10mm x 1.25
600044HT	12mm x 1.25
600045HT	12mm x 1.50
600050HT	12mm x 1.75



Short Acorn 19mm Hex Heat Treat

PART #	THREAD SIZE
601135HT	10mm x 1.25
601144HT	12mm x 1.25
601145HT	12mm x 1.50
601150HT	12mm x 1.75



Short Acorn 19mm Hex Heat Treat

PART #	THREAD SIZE
601244HT	12mm x 1.25
601245HT	12mm x 1.50
601250HT	12mm x 1.75



Short Acorn 19mm Hex Heat Treat

PART #	THREAD SIZE
601344HT	12mm x 1.25
601345HT	12mm x 1.50
601350HT	12mm x 1.75



Std Acorn 19mm Hex Heat Treat

PART #	THREAD SIZE
601444HT	12mm x 1.25
601445HT	12mm x 1.50
601450HT	12mm x 1.75



Extra Long Acorn 19mm Hex Heat Treat

PART #	THREAD SIZE
601544HT	12mm x 1.25
601545HT	12mm x 1.50
601550HT	12mm x 1.75



O/E Acorn 3/4" Hex Heat Treat

PART #	THREAD SIZE
610038HT	3/8"-24
610040HT	7/16"-20
610042HT	1/2"-20
610035HT	10mm x 1.25
610044HT	12mm x 1.25
610045HT	12mm x 1.50
610050HT	12mm x 1.75



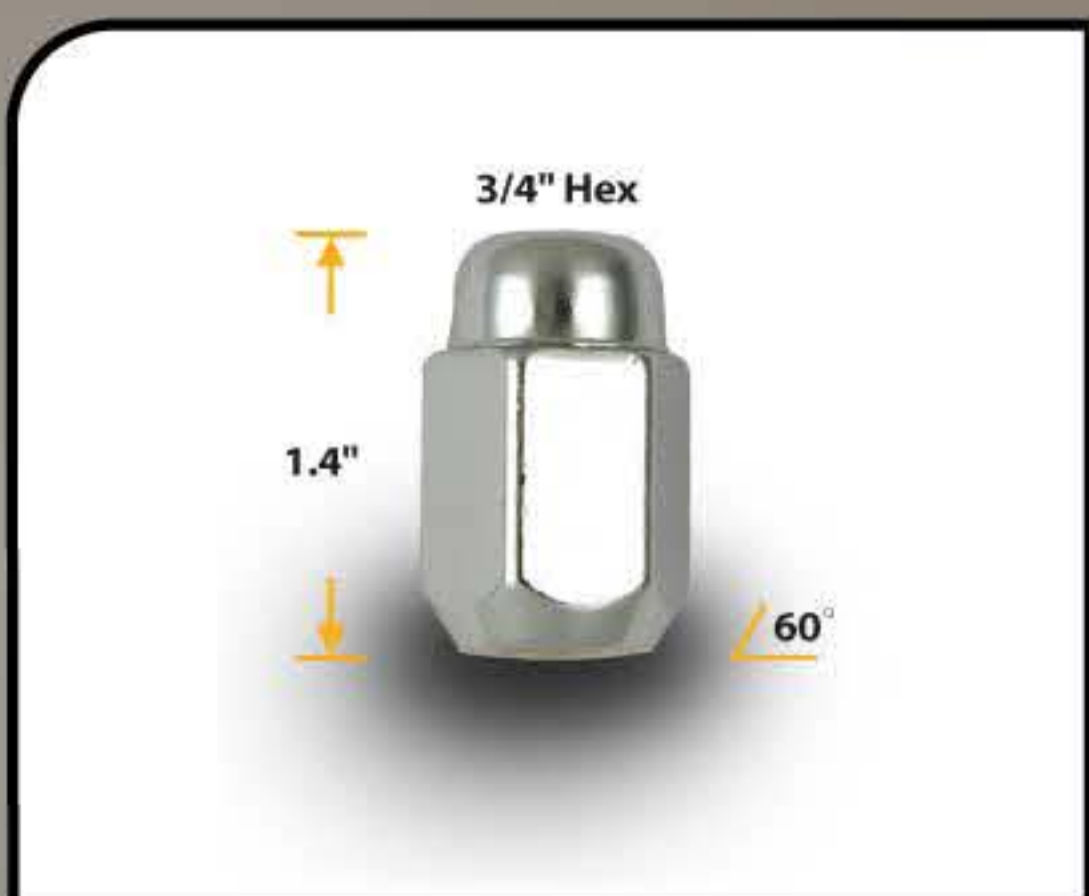
Short Acorn 3/4" Hex Heat Treat

PART #	THREAD SIZE
611340HT	7/16"-20
611342HT	1/2"-20
611344HT	12mm x 1.25
611345HT	12mm x 1.50
611350HT	12mm x 1.75

LUG NUTS

Standard Acorn

LUG NUTS



Std Acorn 3/4" Hex Heat Treat

PART #	THREAD SIZE
611440HT	7/16"-20
611442HT	1/2"-20
611444HT	12mm x 1.25
611445HT	12mm x 1.50
611450HT	12mm x 1.75



Extra Long Acorn 3/4" Hex Heat Treat

PART #	THREAD SIZE
611940HT	7/16"-20
611942HT	1/2"-20
611944HT	12mm x 1.25
611945HT	12mm x 1.50
611950HT	12mm x 1.75



O/E Acorn 21mm Hex Heat Treat

PART #	THREAD SIZE
700035HT	10mm x 1.25
700044HT	12mm x 1.25
700045HT	12mm x 1.50
700050HT	12mm x 1.75
700048HT	14mm x 1.50
700073HT	14mm x 2.00



Mini Acorn 21mm Hex Heat Treat

PART #	THREAD SIZE
702244HT	12mm x 1.25
702245HT	12mm x 1.50



Short Acorn 21mm Hex Heat Treat

PART #	THREAD SIZE
701135HT	10mm x 1.25
701144HT	12mm x 1.25
701145HT	12mm x 1.50
701150HT	12mm x 1.75



Short Acorn 21mm Hex Heat Treat

PART #	THREAD SIZE
701335HT	10mm x 1.25
701344HT	12mm x 1.25
701345HT	12mm x 1.50
701350HT	12mm x 1.75



Std Acorn 21mm Hex Heat Treat

PART #	THREAD SIZE
701435HT	10mm x 1.25
701444HT	12mm x 1.25
701445HT	12mm x 1.50
701450HT	12mm x 1.75
701448HT	14mm x 1.50
701473HT	14mm x 2.00



Extra Long Acorn 21mm Hex Heat Treat

PART #	THREAD SIZE
701535HT	10mm x 1.25
701544HT	12mm x 1.25
701545HT	12mm x 1.50
701550HT	12mm x 1.75
701548HT	14mm x 1.50
701573HT	14mm x 2.00

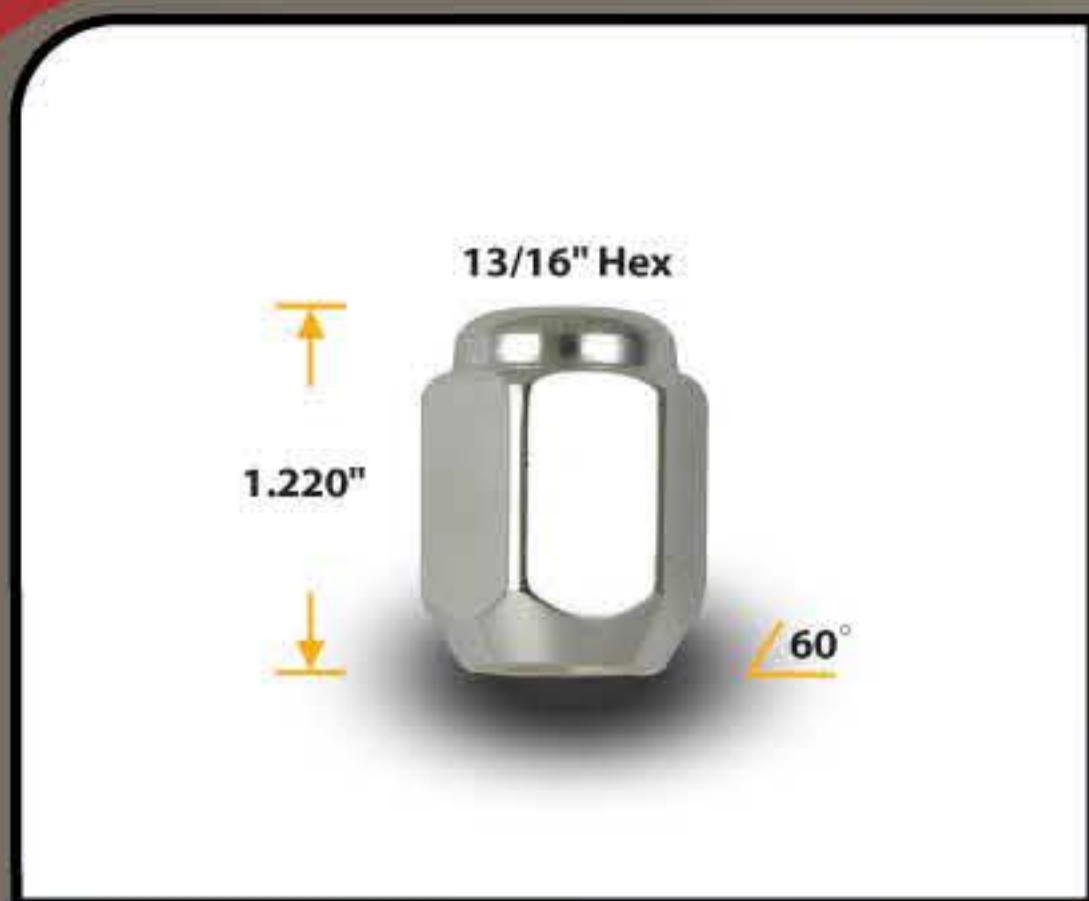


O/E Acorn 13/16" Hex Heat Treat

PART #	THREAD SIZE
710038HT	3/8"-24
710040HT	7/16"-20
710042HT	1/2"-20
710035HT	10mm x 1.25
710044HT	12mm x 1.25
710045HT	12mm x 1.50
710050HT	12mm x 1.75
710048HT	14mm x 1.50
710073HT	14mm x 2.00

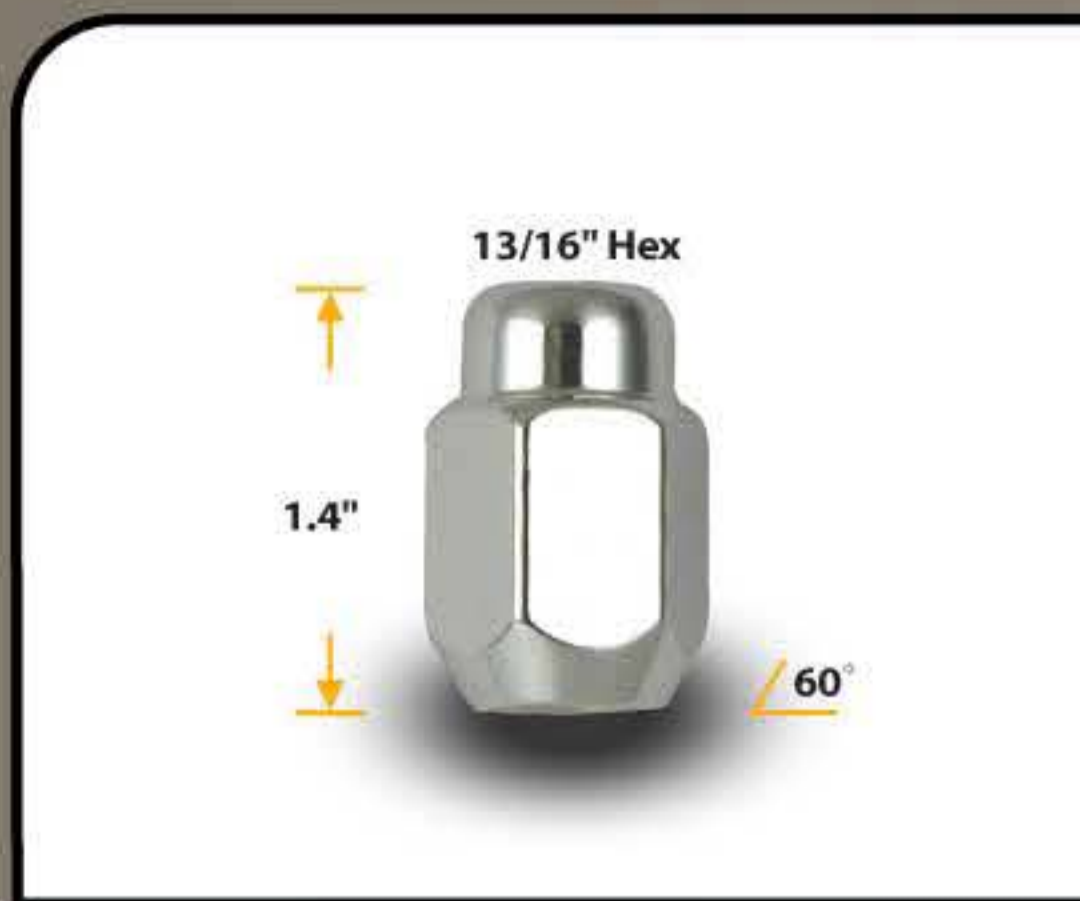
Standard Acorn

LUG NUTS



Short Acorn 13/16" Hex Heat Treat

PART #	THREAD SIZE
711338HT	3/8"-24
711340HT	7/16"-20
711342HT	1/2"-20
711335HT	10mm x 1.25
711344HT	12mm x 1.25
711345HT	12mm x 1.50
711350HT	12mm x 1.75
711348HT	14mm x 1.50
711373HT	14mm x 2.00



Std Acorn 13/16" Hex Heat Treat

PART #	THREAD SIZE
711438HT	3/8"-24
711440HT	7/16"-20
711442HT	1/2"-20
711435HT	10mm x 1.25
711444HT	12mm x 1.25
711445HT	12mm x 1.50
711450HT	12mm x 1.75
711448HT	14mm x 1.50
711473HT	14mm x 2.00



Extra Long Acorn 13/16" Hex Heat Treat

PART #	THREAD SIZE
711938HT	3/8"-24
711940HT	7/16"-20
711942HT	1/2"-20
711935HT	10mm x 1.25
711944HT	12mm x 1.25
711945HT	12mm x 1.50
711950HT	12mm x 1.75
711948HT	14mm x 1.50
711973HT	14mm x 2.00



Std Acorn 13/16" Hex - Black

PART #	THREAD SIZE
711438BC	3/8"-24
711440BC	7/16"-20
711442BC	1/2"-20
711435BC	10mm x 1.25
711444BC	12mm x 1.25
711445BC	12mm x 1.50
711450BC	12mm x 1.75
711448BC	14mm x 1.50
711473BC	14mm x 2.00



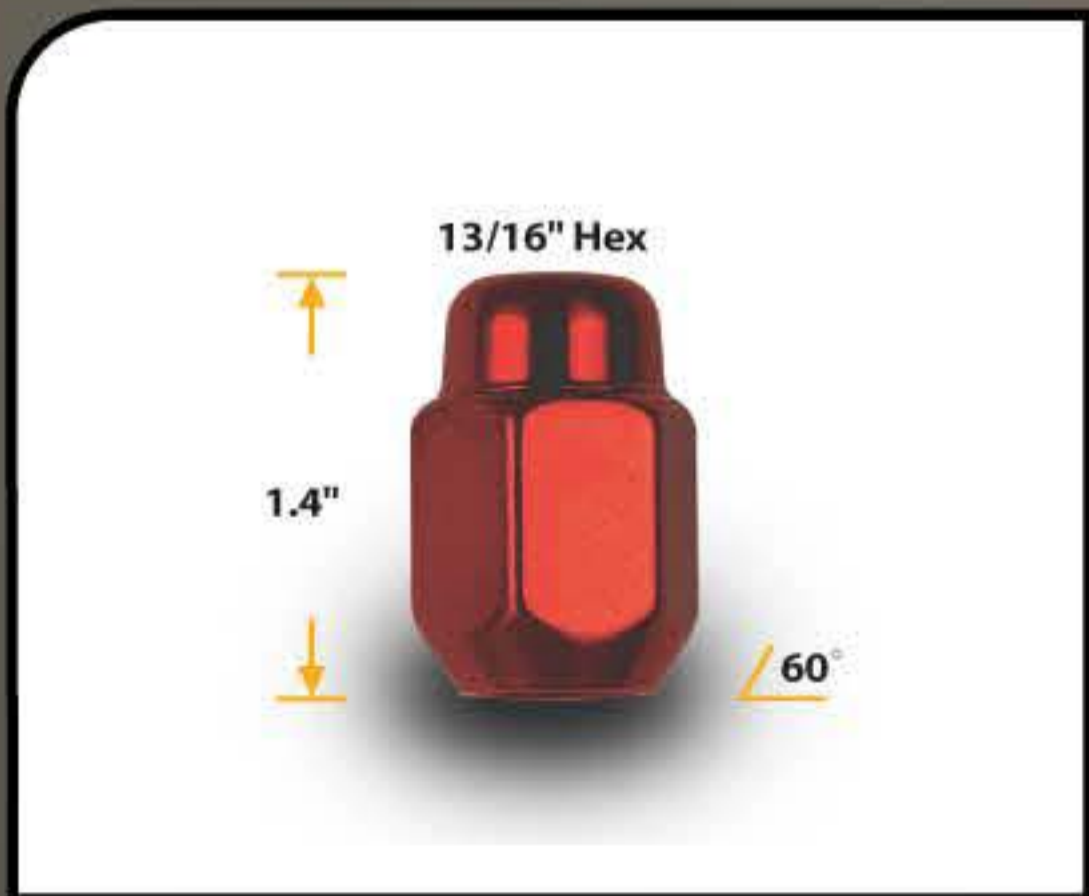
Std Acorn 13/16" Hex - Gold

PART #	THREAD SIZE
711438GD	3/8"-24
711440GD	7/16"-20
711442GD	1/2"-20
711435GD	10mm x 1.25
711444GD	12mm x 1.25
711445GD	12mm x 1.50
711450GD	12mm x 1.75
711448GD	14mm x 1.50
711473GD	14mm x 2.00



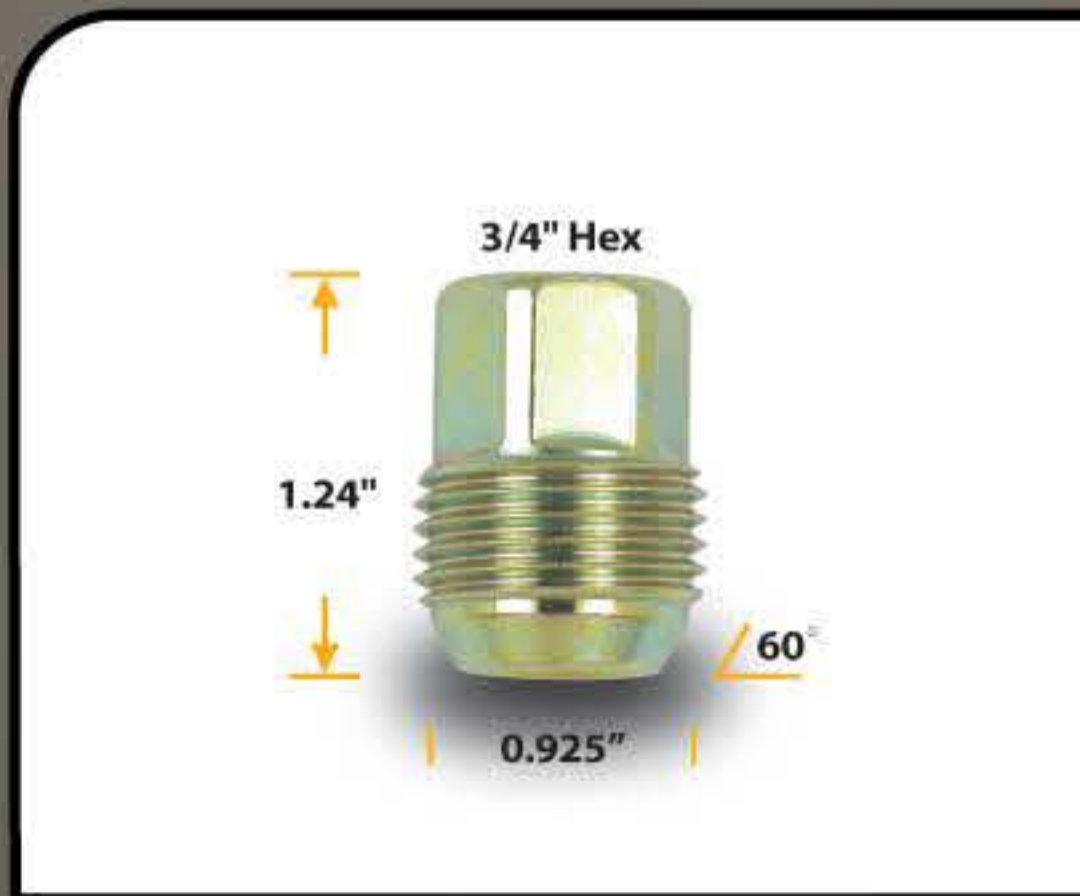
Std Acorn 13/16" Hex - Blue

PART #	THREAD SIZE
711438BL	3/8"-24
711440BL	7/16"-20
711442BL	1/2"-20
711435BL	10mm x 1.25
711444BL	12mm x 1.25
711445BL	12mm x 1.50
711450BL	12mm x 1.75
711448BL	14mm x 1.50
711473BL	14mm x 2.00



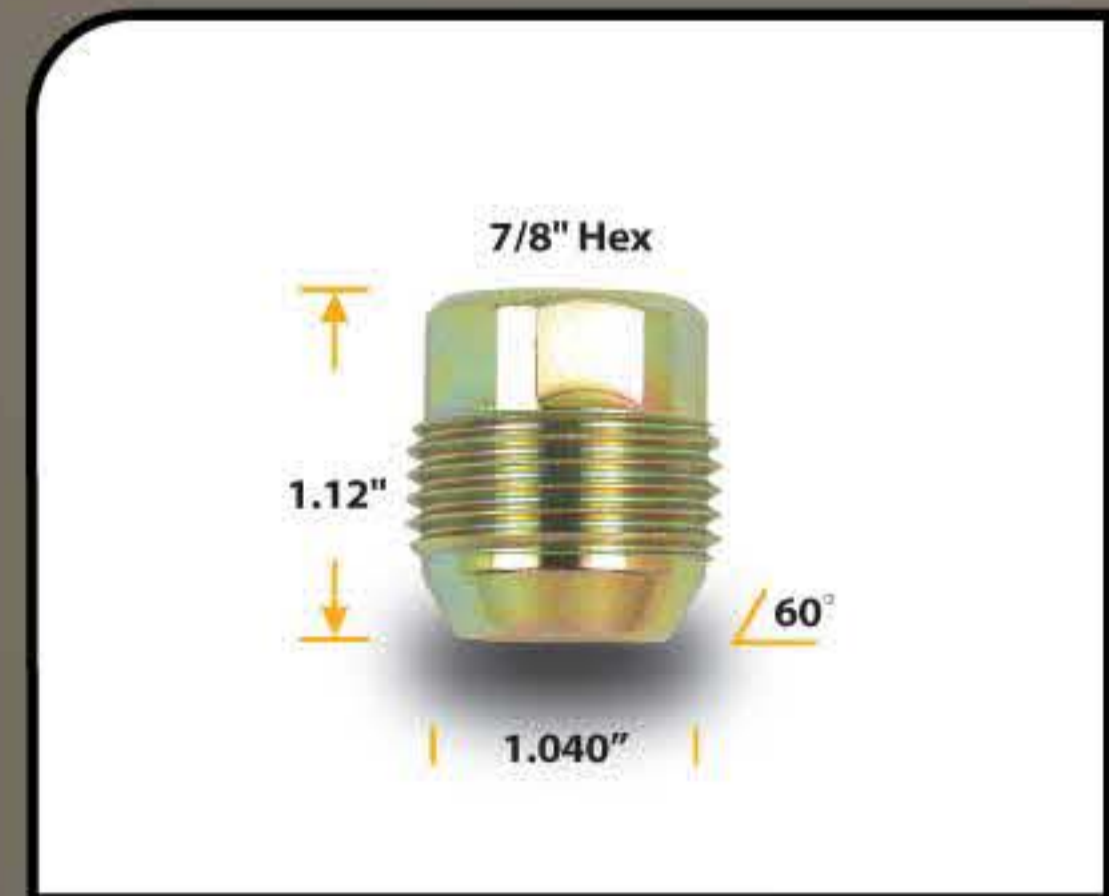
Std Acorn 13/16" Hex - Red

PART #	THREAD SIZE
711438RD	3/8"-24
711440RD	7/16"-20
711442RD	1/2"-20
711435RD	10mm x 1.25
711444RD	12mm x 1.25
711445RD	12mm x 1.50
711450RD	12mm x 1.75
711448RD	14mm x 1.50
711473RD	14mm x 2.00



GM Acorn 3/4" Hex

PART #	THREAD SIZE
411345GM	12mm x 1.50



GM Acorn 7/8" Hex

PART #	THREAD SIZE
761142GM	1/2"-20
761167GM	9/16" - 18
761148GM	14mm x 1.50

Bulge Acorn

BULGE ACORN LUG NUTS

Material - AISI 1008 ~ 1010

Finish - Zinc, Triple Nickel/Chrome

Durability - Zinc 72hr salt spray,
Nickel/Chrome 96hr salt spray

Hardness Treatment - Carbonized

Design - Open-end, 2pc Cold Forged/welded cap,
OEM Honda and Ford

Other Finish Available - Electronic Disposition
Blue & Red, Black Chrome,
24 Karat Gold



O/E Bulge Acorn 17mm Hex Heat Treat

PART #	THREAD SIZE
300035HT	10mm x 1.25
300044HT	12mm x 1.25
300045HT	12mm x 1.50

PATENTED



MM Bulge Acorn 17mm Hex Heat Treat

PART #	THREAD SIZE
312735HT	10mm x 1.25
312744HT	12mm x 1.25
312745HT	12mm x 1.50



Short Bulge Acorn 17mm Hex Heat Treat

PART #	THREAD SIZE
311335HT	10mm x 1.25
311344HT	12mm x 1.25
311345HT	12mm x 1.50



Bulge Acorn 17mm Hex Heat Treat

PART #	THREAD SIZE
311435HT	10mm x 1.25
311444HT	12mm x 1.25
311445HT	12mm x 1.50



Adjusting Bulge Acorn 17mm Hex

PART #	THREAD SIZE
321444AD	12mm x 1.25
321445AD	12mm x 1.50



O/E Bulge Acorn 19mm Hex Heat Treat

PART #	THREAD SIZE
400035HT	10mm x 1.25
400044HT	12mm x 1.25
400045HT	12mm x 1.50
400050HT	12mm x 1.75



O/E Bulge - Ball Seat 19mm Hex Heat Treat

PART #	THREAD SIZE
400035B/HT	10mm x 1.25
400044B/HT	12mm x 1.25
400045B/HT	12mm x 1.50
400050B/HT	12mm x 1.75



Bulge - Ball Seat 19mm Hex Heat Treat

PART #	THREAD SIZE
401135B/HT	10mm x 1.25
401144B/HT	12mm x 1.25
401145B/HT	12mm x 1.50
401150B/HT	12mm x 1.75

LUG NUTS

Bulge Acorn

BULGE NUTS



Mini Bulge Acorn 19mm Hex Heat Treat

PART #	THREAD SIZE
402244HT	12mm x 1.25
402245HT	12mm x 1.50



Short Bulge Acorn 19mm Hex Heat Treat

PART #	THREAD SIZE
401335HT	10mm x 1.25
401344HT	12mm x 1.25
401345HT	12mm x 1.50
401350HT	12mm x 1.75



Bulge Acorn 19mm Hex Heat Treat

PART #	THREAD SIZE
401435HT	10mm x 1.25
401444HT	12mm x 1.25
401445HT	12mm x 1.50
401450HT	12mm x 1.75



Ford Nut

PART #	THREAD SIZE
341145	12mm x 1.50



O/E Bulge Acorn 3/4" Hex Heat Treat

PART #	THREAD SIZE
410038HT	3/8"-24
410040HT	7/16"-20
410042HT	1/2"-20
410035HT	10mm x 1.25
410044HT	12mm x 1.25
410045HT	12mm x 1.50
410050HT	12mm x 1.75
410048HT	14mm x 1.50
410073HT	14mm x 2.00



Bulge Acorn 3/4" Hex Heat Treat

PART #	THREAD SIZE
411438HT	3/8"-24
411440HT	7/16"-20
411442HT	1/2"-20
411435HT	10mm x 1.25
411444HT	12mm x 1.25
411445HT	12mm x 1.50
411450HT	12mm x 1.75
411448HT	14mm x 1.50
411473HT	14mm x 2.00



XL Bulge Acorn 3/4" Hex Heat Treat

PART #	THREAD SIZE
411940HT	7/16"-20
411942HT	1/2"-20
411935HT	10mm x 1.25
411944HT	12mm x 1.25
411945HT	12mm x 1.50
411950HT	12mm x 1.75
411948HT	14mm x 1.50
411973HT	14mm x 2.00



O/E Short Bulge Acorn 21mm Hex Heat Treat

PART #	THREAD SIZE
900044S/HT	12mm x 1.25
900045S/HT	12mm x 1.50
900050S/HT	12mm x 1.75
900048S/HT	14mm x 1.50
900073S/HT	14mm x 2.00



O/E Bulge Acorn 21mm Hex Heat Treat

PART #	THREAD SIZE
900044HT	12mm x 1.25
900045HT	12mm x 1.50
900050HT	12mm x 1.75
900048HT	14mm x 1.50
900073HT	14mm x 2.00

Bulge Acorn

LUG NUTS



Short Bulge Acorn 21mm Hex Heat Treat

PART #	THREAD SIZE
901344HT	12mm x 1.25
901345HT	12mm x 1.50
901350HT	12mm x 1.75
901348HT	14mm x 1.50
901373HT	14mm x 2.00



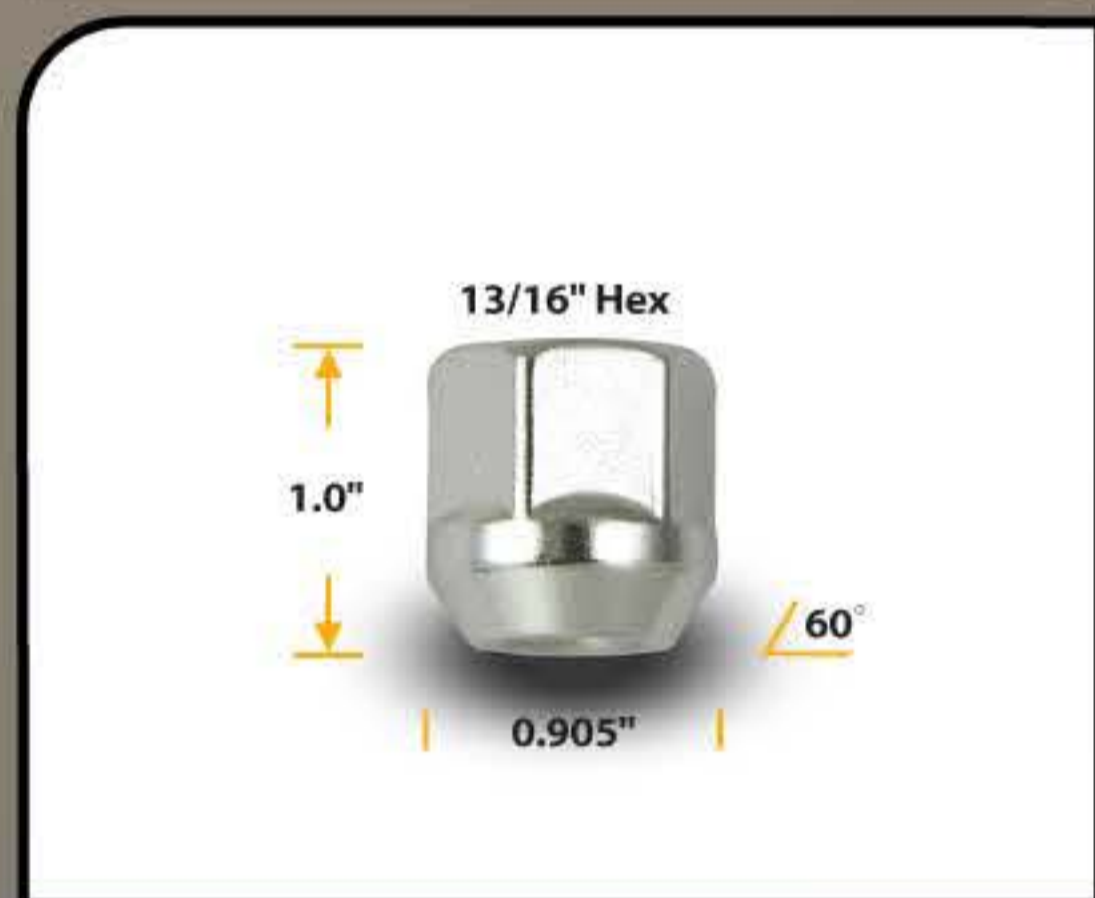
Bulge Acorn 21mm Hex Heat Treat

PART #	THREAD SIZE
901444HT	12mm x 1.25
901445HT	12mm x 1.50
901450HT	12mm x 1.75
901448HT	14mm x 1.50
901473HT	14mm x 2.00



O/E Short Bulge Acorn 13/16" Hex Heat Treat

PART #	THREAD SIZE
910040S/HT	7/16"-20
910042S/HT	1/2"-20
910044S/HT	12mm x 1.25
910045S/HT	12mm x 1.50
910050S/HT	12mm x 1.75
910048S/HT	14mm x 1.50
910073S/HT	14mm x 2.00



O/E Bulge Acorn 13/16" Hex Heat Treat

PART #	THREAD SIZE
910040HT	7/16"-20
910042HT	1/2"-20
910067HT	9/16" - 18
910044HT	12mm x 1.25
910045HT	12mm x 1.50
910050HT	12mm x 1.75
910048HT	14mm x 1.50
910073HT	14mm x 2.00



Bulge Acorn 13/16" Hex Heat Treat

PART #	THREAD SIZE
911440HT	7/16"-20
911442HT	1/2"-20
911444HT	12mm x 1.25
911445HT	12mm x 1.50
911450HT	12mm x 1.75
911448HT	14mm x 1.50
911473HT	14mm x 2.00



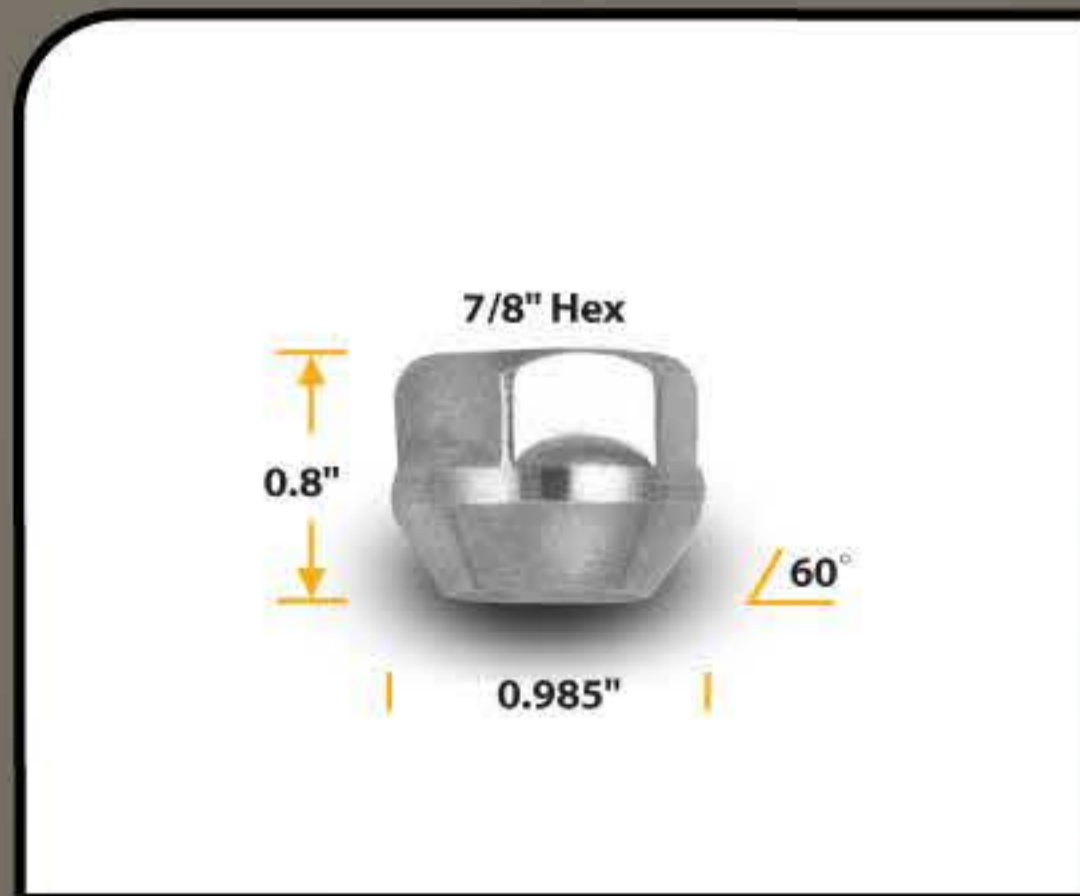
XL Bulge Acorn 13/16" Hex Heat Treat

PART #	THREAD SIZE
911940HT	7/16"-20
911942HT	1/2"-20
911967HT	9/16" - 18
911944HT	12mm x 1.25
911945HT	12mm x 1.50
911950HT	12mm x 1.75
911948HT	14mm x 1.50
911973HT	14mm x 2.00



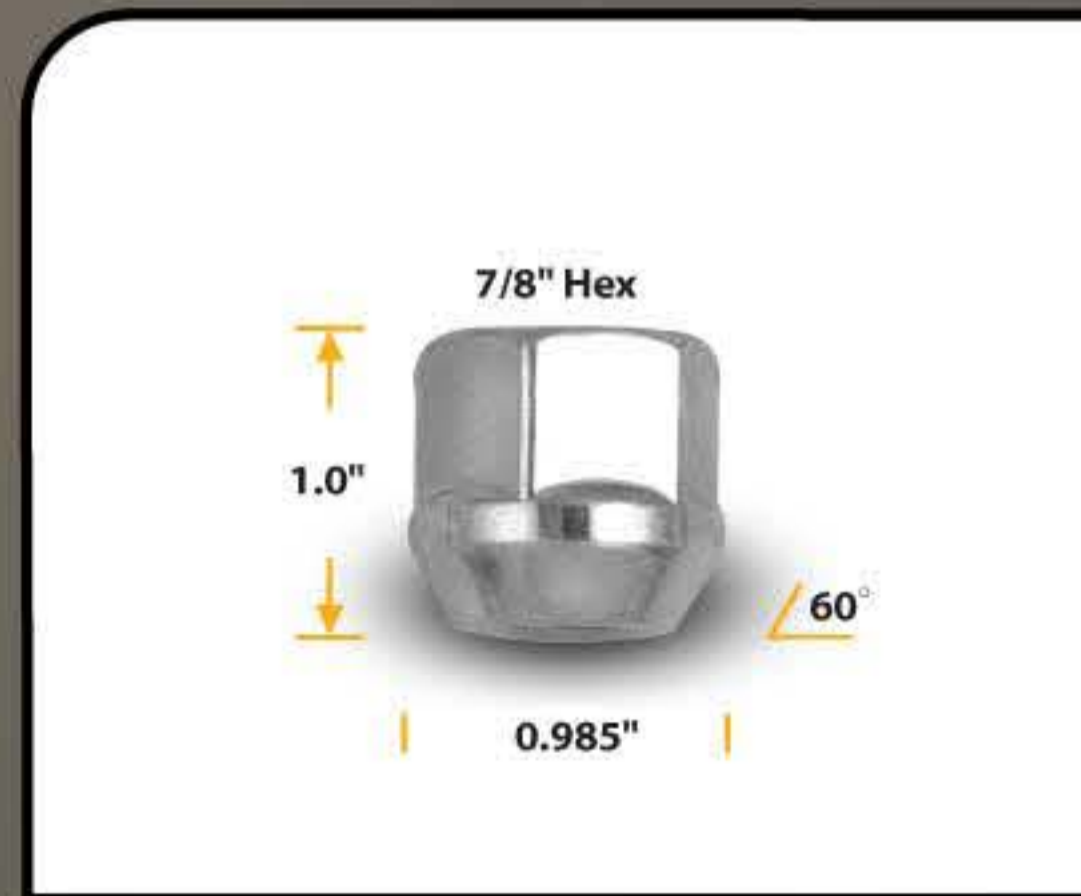
Bulge Acorn 13/16" Hex - Black

PART #	THREAD SIZE
911440BC	7/16"-20
911442BC	1/2"-20
911444BC	12mm x 1.25
911445BC	12mm x 1.50
911450BC	12mm x 1.75
911448BC	14mm x 1.50
911473BC	14mm x 2.00



O/E Short Bulge Acorn 7/8" Hex Heat Treat

PART #	THREAD SIZE
760067S/HT	9/16" - 18
760048S/HT	14mm x 1.50
760073S/HT	14mm x 2.00



O/E Bulge Acorn 7/8" Hex Heat Treat

PART #	THREAD SIZE
760067HT	9/16" - 18
760048HT	14mm x 1.50
760073HT	14mm x 2.00

Duplex Style

DUPLEX STYLE LUG NUTS

Material - AISI 1008 ~ 1010

Finish - Zinc, Triple Nickel/Chrome

Durability - Zinc 72hr salt spray,
Nickel/Chrome 96hr salt spray

Hardness Treatment - Carbonized or available with none

Design - 1pc Cold Forged, 2pc Cold Forged/welded cap

Please specify the type of washer you need with SHANK and MAG STYLE lug nuts.



Duplex Acorn 7/8" Hex Heat Treat

PART #	THREAD SIZE
782042HT	1/2"-20
782067HT	9/16"-18
782058HT	5/8"-18
782048HT	14mm x 1.50
782073HT	14mm x 2.00



XL Duplex Acorn 7/8" Hex Heat Treat

PART #	THREAD SIZE
782467HT	9/16"-18
782448HT	14mm x 1.50
782473HT	14mm x 2.00



FXL Duplex Acorn 7/8" Hex Heat Treat

PART #	THREAD SIZE
783067FXL/HT	9/16"-18



Duplex Bulge Acorn 7/8" Hex Heat Treat

PART #	THREAD SIZE
762042HT	1/2"-20
762067HT	9/16"-18
762058HT	5/8"-18
762048HT	14mm x 1.50
762073HT	14mm x 2.00



XL Duplex Bulge Acorn 7/8" Hex Heat Treat

PART #	THREAD SIZE
762467HT	9/16"-18
762448HT	14mm x 1.50
762473HT	14mm x 2.00



- Primarily for Light Duty Pick-up Trucks
- Designed for wheels with deep seating surface
- **LARGEST** Selection of Wheel Fasteners in the Industry

LUG NUTS

Duplex Style

LUG NUTS



FXL Duplex Bulge Acorn 7/8" Hex Heat Treat

PART #	THREAD SIZE
763067FXL/HT	9/16"-18



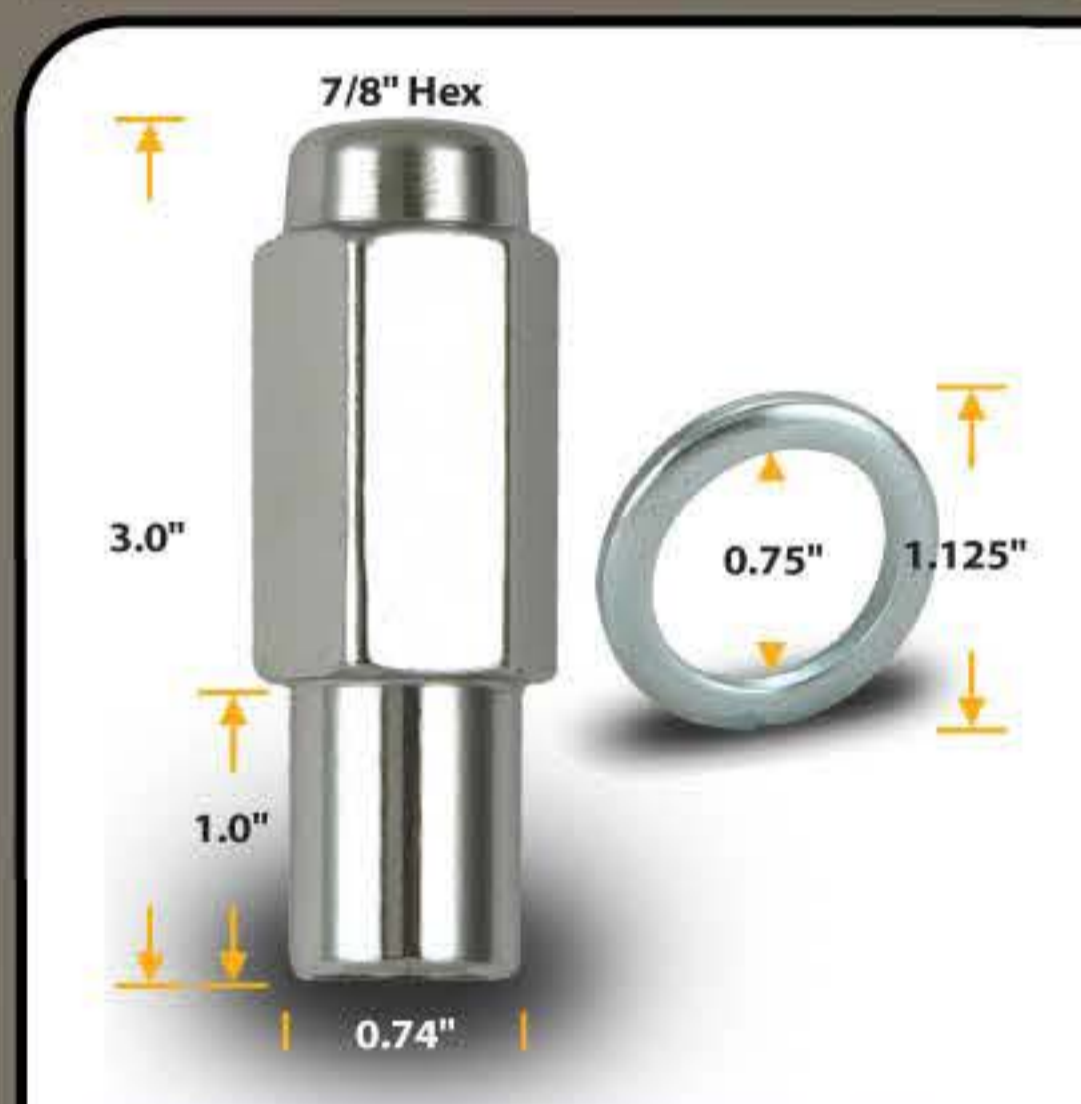
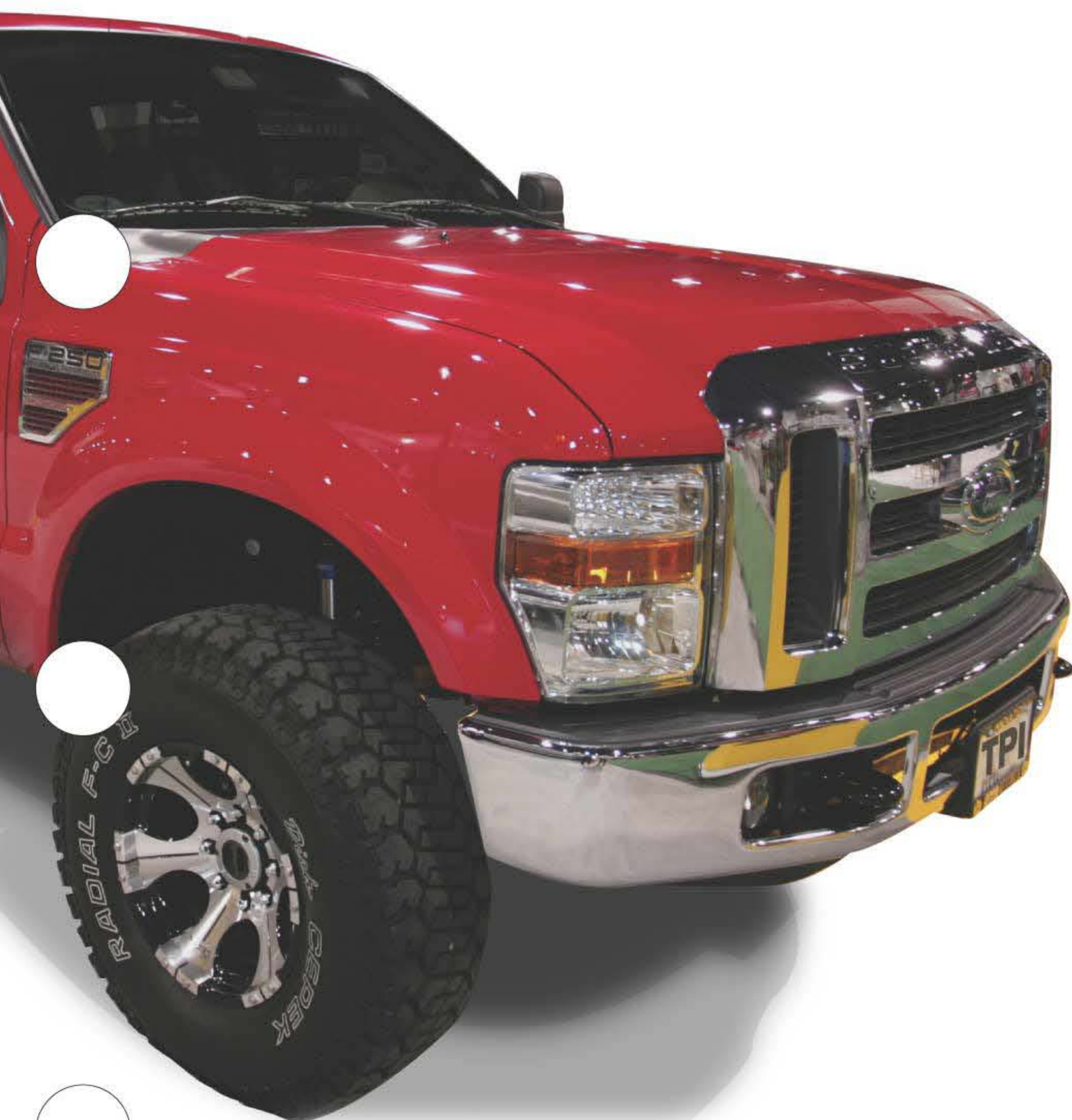
Duplex Mag 7/8" Hex

PART #	THREAD SIZE
752042	1/2"-20
752067	9/16"-18
752048	14mm x 1.50



XL Duplex Mag 7/8" Hex

PART #	THREAD SIZE
752467	9/16"-18



FXL Duplex Mag 7/8" Hex

PART #	THREAD SIZE
753067FXL	9/16"-18



XL Duplex Acorn E-T/Ultra 7/8" Hex

PART #	THREAD SIZE
692442	1/2"-20
692467	9/16"-18
692448	14mm x 1.50

Shank Style

SHANK STYLE LUG NUTS

Material - AISI 1008 ~ 1010

Finish - Zinc, Triple Nickel/Chrome

Durability - Zinc 72hr salt spray,
Nickel/Chrome 96hr salt spray

Hardness Treatment - None

Design - Open-end, 2pc Cold Forged/welded cap, OEM

Other Finish Available - Black Chrome

Please specify the type of washer you need with SHANK and MAG STYLE lug nuts.



O/E E-T/Ultra Conical Seat
13/16" Hex

PART #	THREAD SIZE
680040	7/16"-20
680042	1/2"-20
680044	12mm x 1.25
680045	12mm x 1.50
680050	12mm x 1.75
680048	14mm x 1.50



E-T/Ultra Conical Seat 13/16" Hex

PART #	THREAD SIZE
681140	7/16"-20
681142	1/2"-20
681144	12mm x 1.25
681145	12mm x 1.50
681150	12mm x 1.75
681148	14mm x 1.50



E-T/Ultra Conical Seat - Black
13/16" Hex

PART #	THREAD SIZE
681140BC	7/16"-20
681142BC	1/2"-20
681144BC	12mm x 1.25
681145BC	12mm x 1.50
681148BC	14mm x 1.50



E-T/Ultra Conical Seat - Long
13/16" Hex

PART #	THREAD SIZE
681140L	7/16"-20
681142L	1/2"-20
681144L	12mm x 1.25
681145L	12mm x 1.50
681148L	14mm x 1.50



O/E E-T/Ultra Conical Seat - Bulge
3/4" Hex

PART #	THREAD SIZE
400044ET	12mm x 1.25
400045ET	12mm x 1.50



E-T/Ultra Conical Seat - Bulge
3/4" Hex

PART #	THREAD SIZE
411444ET	12mm x 1.25
411445ET	12mm x 1.50



E-T/Ultra Conical Seat - Bulge
13/16" Hex

PART #	THREAD SIZE
911444ET	12mm x 1.25
911445ET	12mm x 1.50

Mag Style

MAG STYLE LUG NUTS

Material - AISI 1008 ~ 1010

Finish - Zinc, Triple Nickel/Chrome

Durability - Zinc 72hr salt spray,
Nickel/Chrome 96hr salt spray

Hardness Treatment - Carbonized or available with none

Design - 1pc Cold Forged, Open-end,
2pc Forged/welded cap OEM Toyota & Land Rover

Other Finish Available - Black Chrome

Please specify the type of washer you need with SHANK and MAG STYLE lug nuts.



Short Shank 13/16" Hex

PART #	THREAD SIZE
721140	7/16"-20
721142	1/2"-20
721144	12mm x 1.25
721145	12mm x 1.50



O/E Short Mag 13/16" Hex

PART #	THREAD SIZE
730040SM	7/16"-20
730042SM	1/2"-20
730044SM	12mm x 1.25
730045SM	12mm x 1.50



Short Mag 13/16" Hex

PART #	THREAD SIZE
731140SM	7/16"-20
731142SM	1/2"-20
731144SM	12mm x 1.25
731145SM	12mm x 1.50



O/E Std Mag 13/16" Hex

PART #	THREAD SIZE
730040	7/16"-20
730042	1/2"-20
730044	12mm x 1.25
730045	12mm x 1.50



Std Mag 13/16" Hex

PART #	THREAD SIZE
731140	7/16"-20
731142	1/2"-20
731144	12mm x 1.25
731145	12mm x 1.50



Std Mag 13/16" Hex - Black

PART #	THREAD SIZE
731140BC	7/16"-20
731142BC	1/2"-20
731144BC	12mm x 1.25
731145BC	12mm x 1.50



Extended Mag 13/16" Hex

PART #	THREAD SIZE
741140	7/16"-20
741142	1/2"-20
741144	12mm x 1.25
741145	12mm x 1.50

LUG NUTS

Mag Style

MAG NUTS



O/E Cragar SST 13/16" Hex

PART #	THREAD SIZE
840040	7/16"-20
840042	1/2"-20
840044	12mm x 1.25
840045	12mm x 1.50



Cragar SST 13/16" Hex

PART #	THREAD SIZE
841140	7/16"-20
841142	1/2"-20
841144	12mm x 1.25
841145	12mm x 1.50



Cragar SST 7/8" Hex

PART #	THREAD SIZE
841148	14mm x 1.50



E-T Step Mag 13/16" Hex W/Washers

PART #	THREAD SIZE
791140WW	7/16"-20
791142WW	1/2"-20
791144WW	12mm x 1.25
791145WW	12mm x 1.50



Appliance Step Mag 13/16" Hex W/Bushing

PART #	THREAD SIZE
791140WB	7/16"-20
791142WB	1/2"-20
791144WB	12mm x 1.25
791145WB	12mm x 1.50



Toyota Mag - RX 330

PART #	THREAD SIZE
723845	12mm x 1.50

723844 12mm x 1.25 Also Available



Toyota Mag - RX 300

PART #	THREAD SIZE
724845	12mm x 1.50



Toyota Mag - LX470 (Land Cruiser)

PART #	THREAD SIZE
734748	14mm x 1.50



Land Rover Nut

PART #	THREAD SIZE
734648	14mm x 1.50

Duallie Style

DUALLIE STYLE LUG NUTS

Material - AISI 1045 / Stainless Steel 304

Finish - Zinc, Triple Nickel/Chrome or Stainless Steel

**Durability - Zinc 72hr salt spray,
Nickel/Chrome 96hr salt spray**

Hardness Treatment - Carbonized or available with none

Design - 1pc Cold Forged and some with Swivel Washer

Please specify the type of washer you need with Duallie Lug W/Shank.



Duallie Lug 1" Hex

PART #	THREAD SIZE
251567	9/16"-18
251548	14mm x 1.50



Duallie Lug 1-1/16" Hex

PART #	THREAD SIZE
272167	9/16"-18
272158	5/8"-18
272173	14mm x 2.00



Duallie Lug W/Swivel Washer
1-1/16" Hex

PART #	THREAD SIZE
272267	9/16"-18
272258	5/8"-18
272248	14mm x 1.50
272273	14mm x 2.00

(1" Hex available for 272248)



Duallie Lug W/Shank

PART #	THREAD SIZE
255567	9/16"-18
255548	14mm x 1.50
255573	14mm x 2.00



Duallie Lug W/Shank

PART #	THREAD SIZE
258067	9/16"-18
258048	14mm x 1.50
258073	14mm x 2.00



Duallie Lug W/Shank
(Stainless Steel)

PART #	THREAD SIZE
258067SS	9/16"-18
258048SS	14mm x 1.50
258073SS	14mm x 2.00



LUG NUTS

Lifetime

LIFETIME LUG NUTS

Material - 50BV30

Finish - Additional Thickness Triple Nickel/Chrome

Durability - Nickel/Chrome 240hr salt spray

Hardness Treatment - Through Heat Treatment

Design - 1pc Cold Forged

Other Finish Available - Black Chrome and 24 Karat Gold

**SIMPLY
THE FINEST
LUG NUT!**

Finish exceeds
240-hour salt spray

All are stamped with thread
size for easy identification

1 piece cold-forged through treated
construction for increased hardness,
resilience and prevention of corrosion

3 layers of brilliantly leveled
nickel undercoating, followed
by 1 reflective layer
of chrome

100% Hand inspection
guarantees perfection

SHINING PAST THE ELEMENTS

LUG
NUTS

Lifetime

STANDARD ACORN



Lifetime Acorn
13/16" Hex

PART #	THREAD SIZE
511440	7/16"-20
511442	1/2"-20
511444	12mm x 1.25
511445	12mm x 1.50
511450	12mm x 1.75
511448	14mm x 1.50
511473	14mm x 2.00



Lifetime Duplex Acorn
7/8" Hex

PART #	THREAD SIZE
512042	1/2"-20
512067	9/16"-18
512048	14mm x 1.50
512073	14mm x 2.00



Lifetime XL Duplex Acorn
7/8" Hex

PART #	THREAD SIZE
512467	9/16"-18
512448	14mm x 1.50
512473	14mm x 2.00

BULGE ACORN



Lifetime Bulge Acorn
3/4" Hex

PART #	THREAD SIZE
801440	7/16"-20
801442	1/2"-20
801444	12mm x 1.25
801445	12mm x 1.50
801450	12mm x 1.75
801448	14mm x 1.50
801473	14mm x 2.00



Lifetime XL Bulge Acorn
3/4" Hex

PART #	THREAD SIZE
801940	7/16"-20
801942	1/2"-20
801944	12mm x 1.25
801945	12mm x 1.50
801950	12mm x 1.75
801948	14mm x 1.50
801973	14mm x 2.00



Lifetime Bulge Acorn
13/16" Hex

PART #	THREAD SIZE
811440	7/16"-20
811442	1/2"-20
811444	12mm x 1.25
811445	12mm x 1.50
811450	12mm x 1.75
811448	14mm x 1.50
811473	14mm x 2.00



Lifetime XL Bulge Acorn
13/16" Hex

PART #	THREAD SIZE
811940	7/16"-20
811942	1/2"-20
811944	12mm x 1.25
811945	12mm x 1.50
811950	12mm x 1.75
811948	14mm x 1.50
811973	14mm x 2.00



Lifetime Duplex Bulge Acorn
7/8" Hex

PART #	THREAD SIZE
812042	1/2"-20
812067	9/16"-18
812048	14mm x 1.50
812073	14mm x 2.00



Lifetime XL Duplex Bulge Acorn
7/8" Hex

PART #	THREAD SIZE
812467	9/16"-18
812448	14mm x 1.50
812473	14mm x 2.00

LUG NUTS

Stainless Steel

LUG NUTS

STAINLESS STEEL LUG NUTS

Material - Nut (ASTM 4140), Cap (SAE 51435 / 51438)
 Finish - Nut (Galvanized Coating), Cap (Stainless Steel)
 Durability - Stainless Steel is corrosion resistant
 Hardness Treatment - Nut (Through Heat Treatment)
 Design - 1pc Cold Forged with cap hydraulically clenched



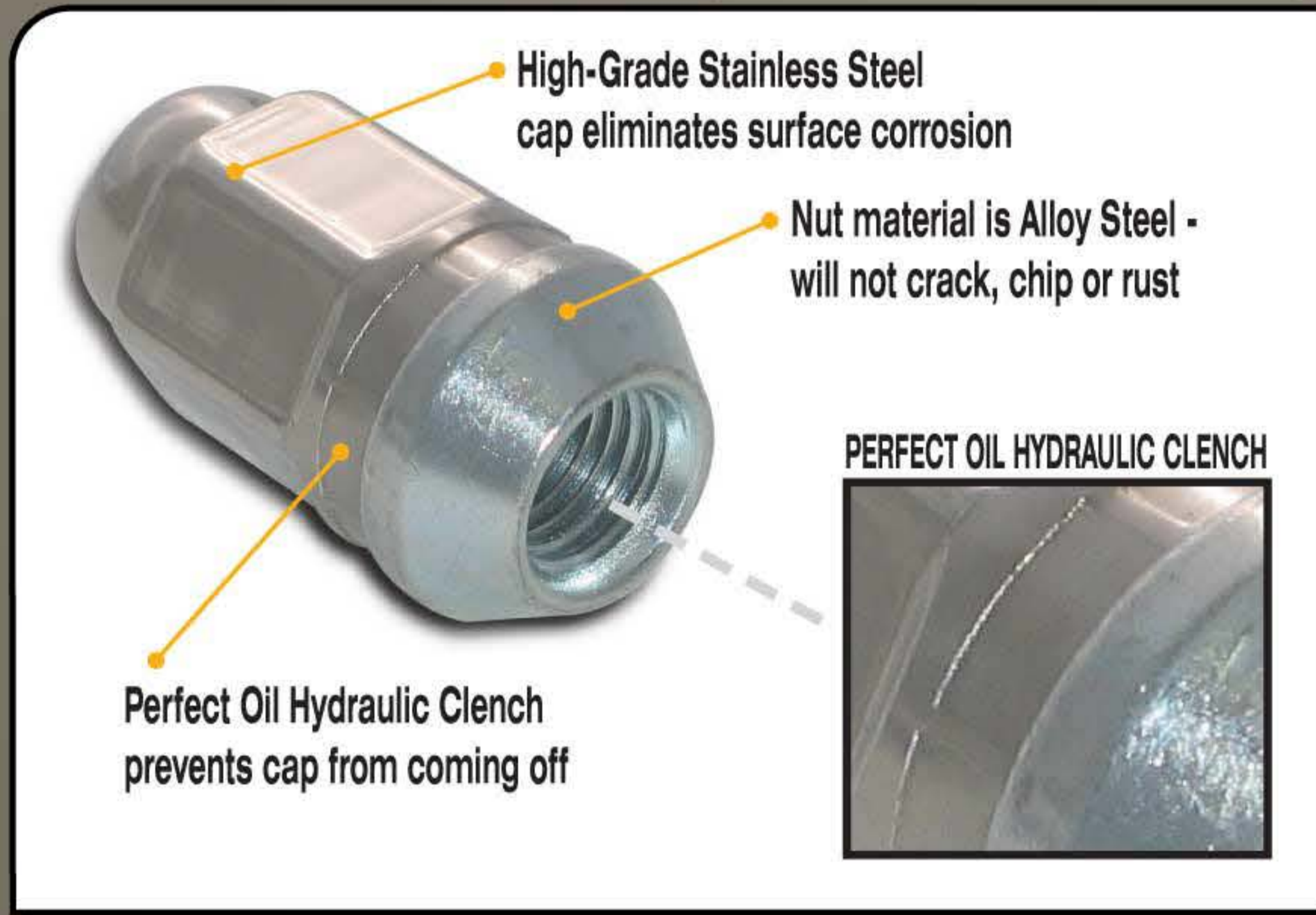
Stainless Steel Bulge Acorn 3/4" Hex

PART #	THREAD SIZE
951440	7/16"-20
951442	1/2"-20
951444	12mm x 1.25
951445	12mm x 1.50
951450	12mm x 1.75



Stainless Steel Bulge Acorn 13/16" Hex

PART #	THREAD SIZE
961440	7/16"-20
961442	1/2"-20
961444	12mm x 1.25
961445	12mm x 1.50
961450	12mm x 1.75
961448	14mm x 1.50
961473	14mm x 2.00



Corvette Stainless Steel Nut 3/4" Hex

PART #	THREAD SIZE
951645	12mm x 1.50



Stainless Steel Duplex Bulge Acorn - 7/8" Hex

PART #	THREAD SIZE
972042	1/2"-20
972067	9/16"-18
972048	14mm x 1.50
972073	14mm x 2.00



Stainless Steel XL Duplex Bulge Acorn - 7/8" Hex

PART #	THREAD SIZE
972467	9/16"-18
972448	14mm x 1.50
972473	14mm x 2.00

Machined Aluminum

MACHINED ALUMINUM LUG NUTS

Material - Aluminum 7075

Finish - Soft Anodized

Durability - Dipped to prevent Oxidation

Hardness Treatment - T-6 Heat-Treatment

Design - Machined from bar stock

Color Finish - Red, Blue, Gold, Silver, Black and Titanium

*Most of our products are open-end designed for racing but can be made to your specification if provided drawing. Minimum quantities apply.



O/E Racing Nut 19mm Hex - Black

PART #	THREAD SIZE
194544BC	12mm x 1.25
194545BC	12mm x 1.50



Dup. O/E Racing Nut 19mm Hex - Silver

PART #	THREAD SIZE
196544AG	12mm x 1.25
196545AG	12mm x 1.50



Dup. O/E Racing Nut 19mm Hex - Black

PART #	THREAD SIZE
196544BC	12mm x 1.25
196545BC	12mm x 1.50



O/E Racing Nut - Silver W/Diamond Knurl

PART #	THREAD SIZE
195244N/AG	12mm x 1.25
195245N/AG	12mm x 1.50

*Knurled for easy hand threading



O/E Racing Nut - Black W/Diamond Knurl

PART #	THREAD SIZE
195244N/BC	12mm x 1.25
195245N/BC	12mm x 1.50

*Knurled for easy hand threading



Dup. O/E Racing Nut - Silver W/Diamond Knurl

PART #	THREAD SIZE
196544N/AG	12mm x 1.25
196545N/AG	12mm x 1.50

*Knurled for easy hand threading



O/E Racing Nut 19mm Hex - Silver

PART #	THREAD SIZE
194544AG	12mm x 1.25
194545AG	12mm x 1.50

LUG NUTS

Cold-Forged Aluminum

COLD-FORGED ALUMINUM LUG NUTS

Material - Aluminum 7075

Finish - Soft Anodized

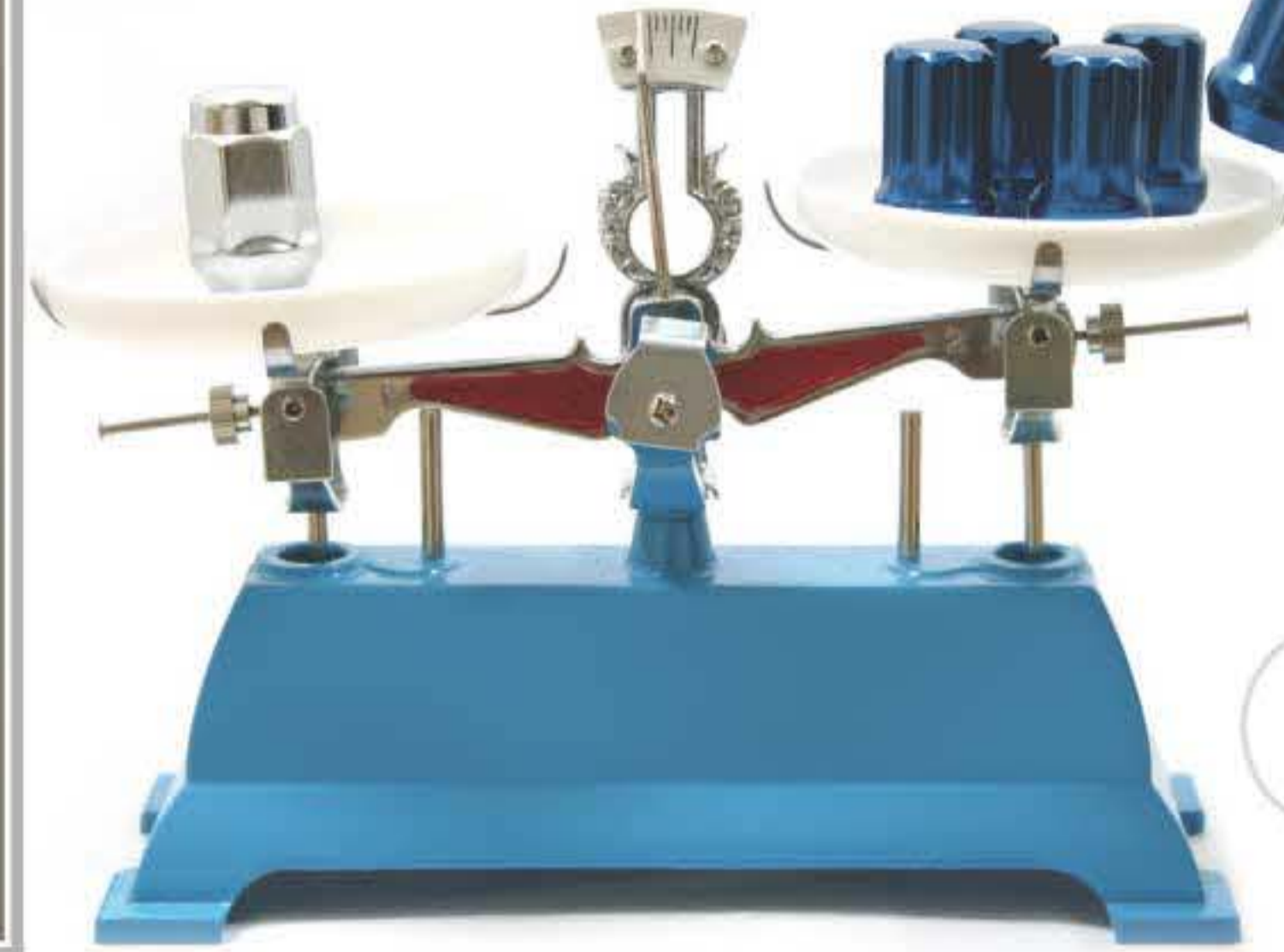
Durability - Dipped to prevent Oxidation

Hardness Treatment - T-6 Heat-Treatment

Design - 1pc Cold Forged

Finish Available - Silver, Black, Blue, Bronze, Gold, Green, Gun Metal, Light Blue, Orange, Purple, Red, Titanium and Yellow

SIMPLY THE BEST



COMPARE FOR YOURSELF!

DURABILITY - HRB 87~90 (HV 180~200) IS ACHIEVED FROM THE SPECIAL PROCESS OF T-6 HEAT TREATING. MADE FOR REAL WORLD ABUSE

SUPER LIGHTWEIGHT - PERFECT FOR REDUCING UN-SPRUNG WEIGHT FOR RACING APPLICATIONS

HIGH TORQUE- TESTED TO A MAXIMUM OF 270 FT/LBS- GREATLY SURPASSING INDUSTRY STANDARDS

COLOR CHART

AVAILABLE IN A VARIETY OF COLORS TO MEET YOUR NEEDS. PLEASE PROVIDE COLOR CODE WHEN ORDERING.

AG - SILVER



BL - BLUE



GD - GOLD



GM - GUN METAL



OG - ORANGE



RD - RED



YL - YELLOW



BC - BLACK



BZ - BRONZE



GN - GREEN



LB - LIGHT BLUE



PP - PURPLE



TI - TITANIUM



LUG NUTS

Cold-Forged Aluminum

8 POINT TUNER



O/E 8 Point Tuner Aluminum Nut - Silver

PART #	THREAD SIZE
AL600044SD/AG	12mm x 1.25
AL600045SD/AG	12mm x 1.50



O/E 8 Point Tuner Aluminum Nut - Black

PART #	THREAD SIZE
AL600044SD/BC	12mm x 1.25
AL600045SD/BC	12mm x 1.50



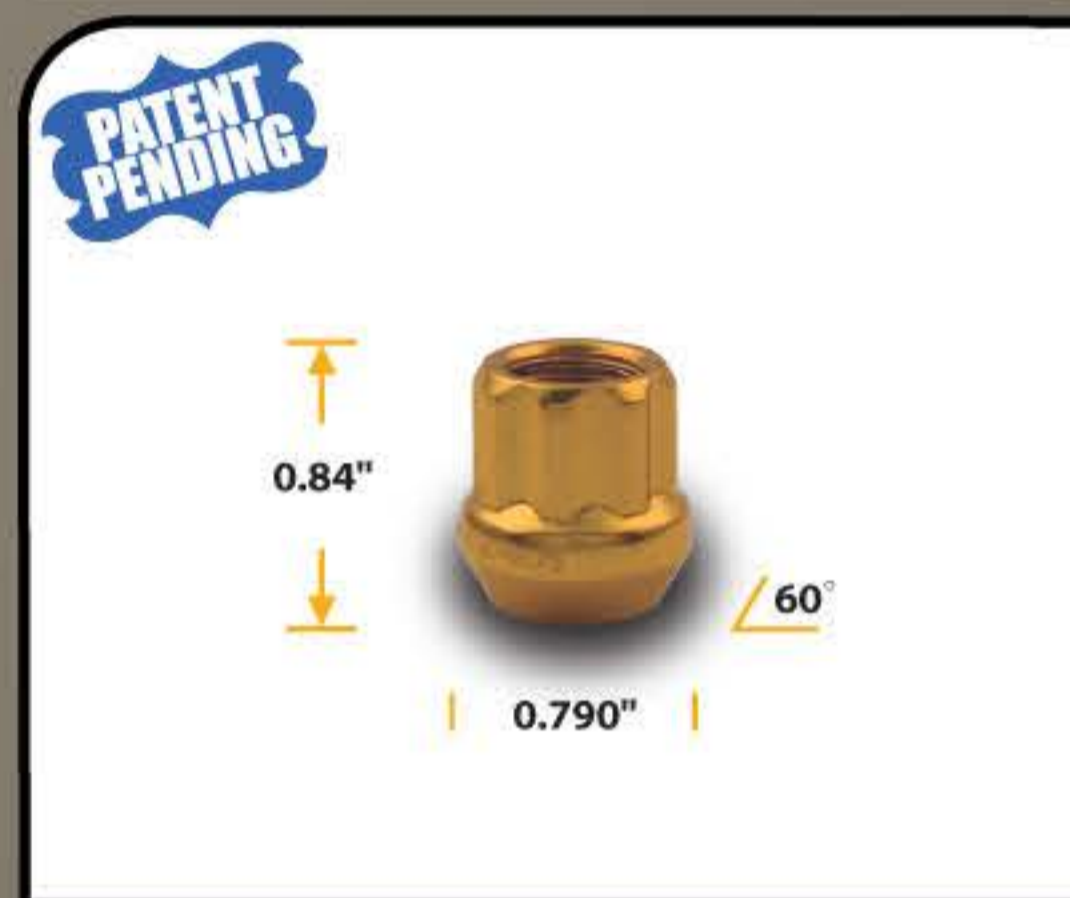
O/E 8 Point Tuner Aluminum Nut - Blue

PART #	THREAD SIZE
AL600044SD/BL	12mm x 1.25
AL600045SD/BL	12mm x 1.50



O/E 8 Point Tuner Aluminum Nut - Red

PART #	THREAD SIZE
AL600044SD/RD	12mm x 1.25
AL600045SD/RD	12mm x 1.50



O/E 8 Point Tuner Aluminum Nut - Gold

PART #	THREAD SIZE
AL600044SD/GD	12mm x 1.25
AL600045SD/GD	12mm x 1.50



8 Point Tuner Aluminum Nut - Silver

PART #	THREAD SIZE
AL611144SD/AG	12mm x 1.25
AL611145SD/AG	12mm x 1.50



8 Point Tuner Aluminum Nut - Titanium

PART #	THREAD SIZE
AL611144SD/TI	12mm x 1.25
AL611145SD/TI	12mm x 1.50



8 Point Tuner Aluminum Nut - Black

PART #	THREAD SIZE
AL611144SD/BC	12mm x 1.25
AL611145SD/BC	12mm x 1.50



8 Point Tuner Aluminum Nut - Blue

PART #	THREAD SIZE
AL611144SD/BL	12mm x 1.25
AL611145SD/BL	12mm x 1.50

LUG NUTS

*Also Available in 6 Spline Tuner Aluminum Nut Style

Cold-Forged Aluminum

8 POINT TUNER



8 Point Tuner Aluminum Nut - Red

PART #	THREAD SIZE
AL611144SD/RD	12mm x 1.25
AL611145SD/RD	12mm x 1.50



8 Point Tuner Aluminum Nut - Gold

PART #	THREAD SIZE
AL611144SD/GD	12mm x 1.25
AL611145SD/GD	12mm x 1.50



8 Point Tuner Key

PART #	SIZE
192108SD/KEY	3/4" & 13/16"

HEX SOCKET



Hex Acorn Socket Aluminum Nut - Silver

PART #	THREAD SIZE
AL200044AG	12mm x 1.25
AL200045AG	12mm x 1.50



Hex Acorn Socket Aluminum Nut - Black

PART #	THREAD SIZE
AL200044BC	12mm x 1.25
AL200045BC	12mm x 1.50



Hex Acorn Socket Aluminum Nut - Blue

PART #	THREAD SIZE
AL200044BL	12mm x 1.25
AL200045BL	12mm x 1.50



Hex Acorn Socket Aluminum Nut - Red

PART #	THREAD SIZE
AL200044RD	12mm x 1.25
AL200045RD	12mm x 1.50



Hex Acorn Socket Aluminum Nut - Gold

PART #	THREAD SIZE
AL200044GD	12mm x 1.25
AL200045GD	12mm x 1.50



Hex Socket Key

PART #	SIZE
192112XL/KEY	19mm & 21mm

LUG NUTS

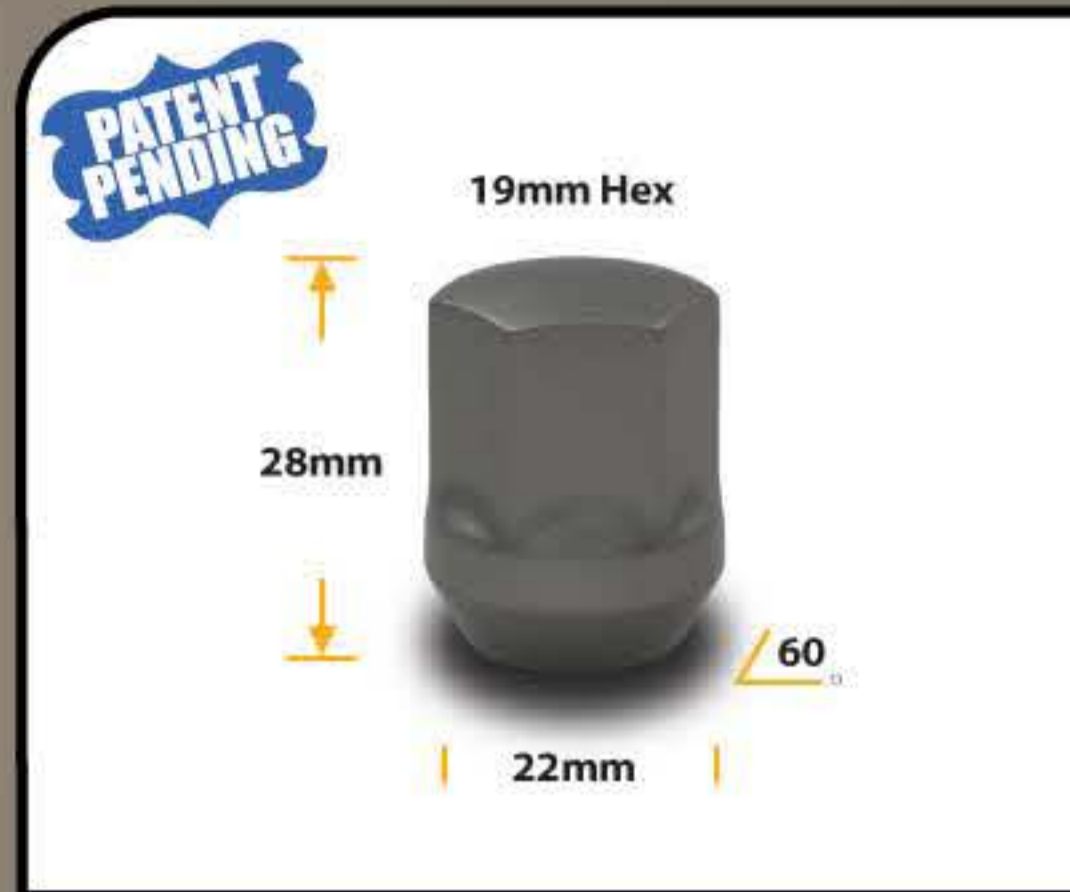
Cold-Forged Aluminum

19MM HEX



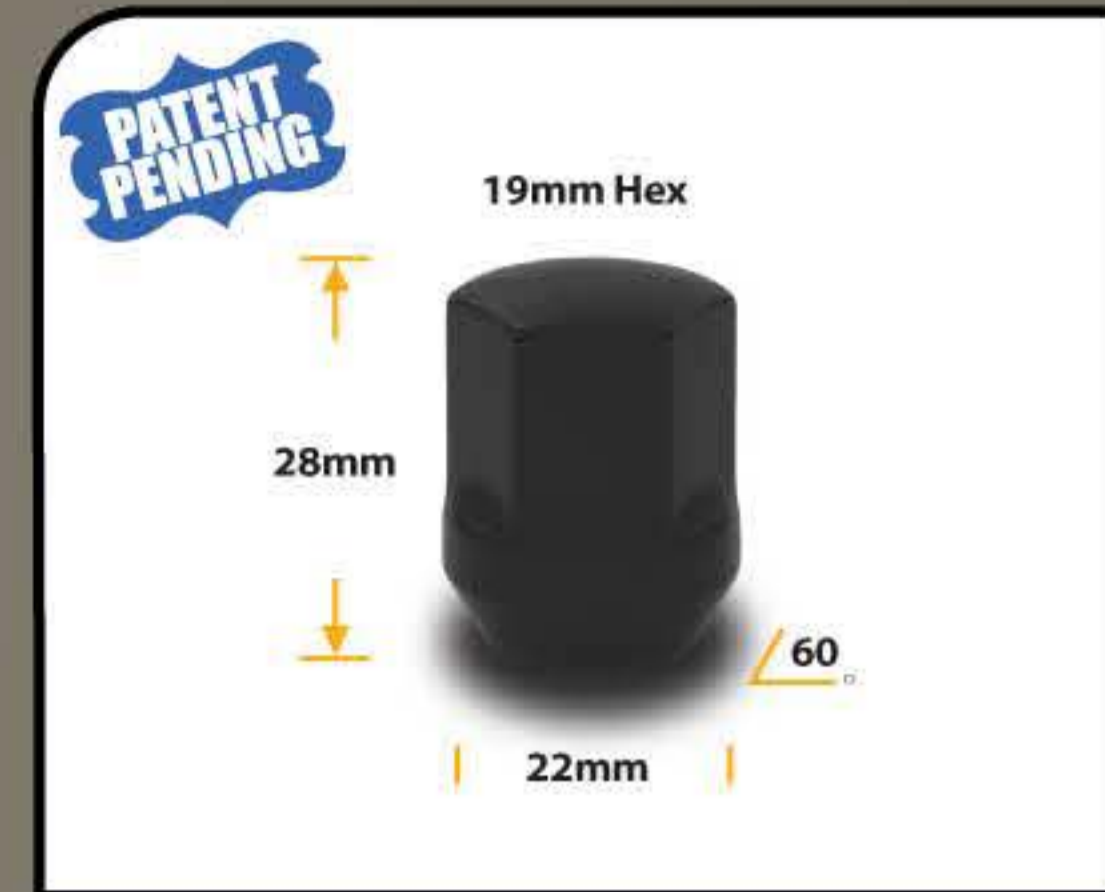
Short Racing Nut 19mm Hex
- Silver

PART #	THREAD SIZE
AL411144AG	12mm x 1.25
AL411145AG	12mm x 1.50



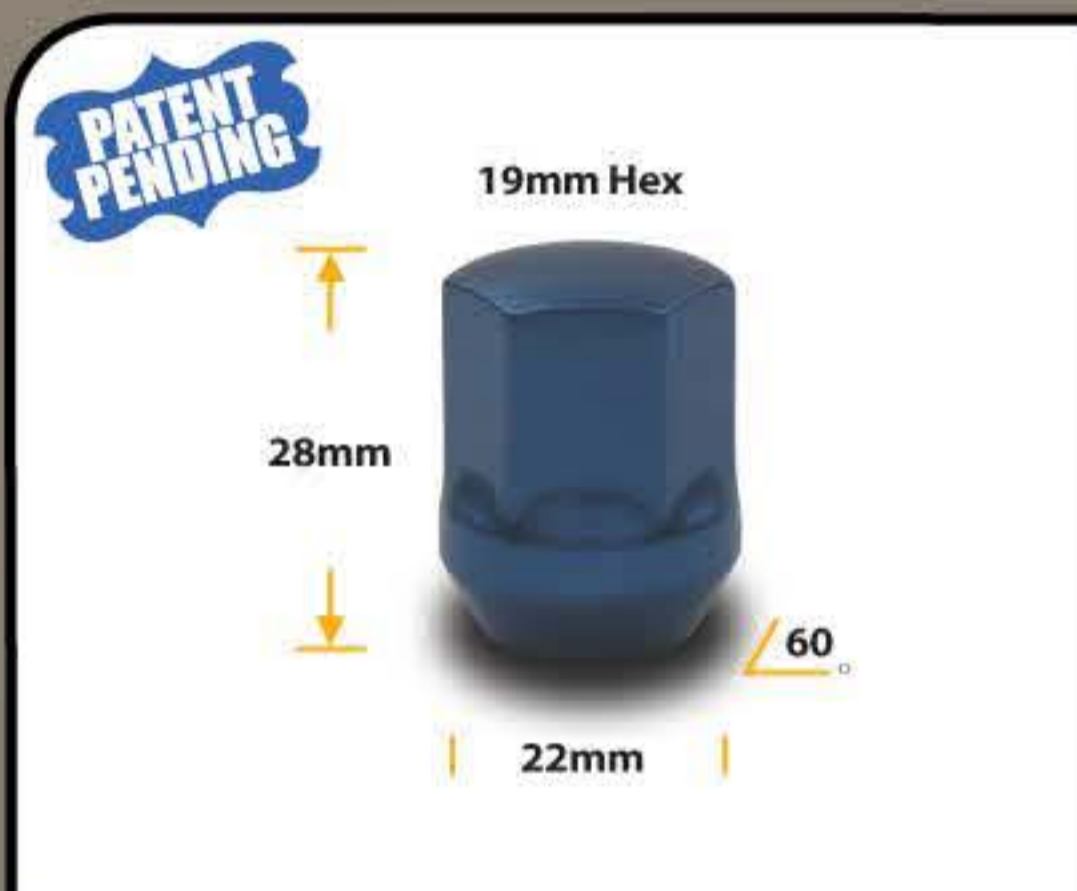
Short Racing Nut 19mm Hex
- Titanium

PART #	THREAD SIZE
AL411144TI	12mm x 1.25
AL411145TI	12mm x 1.50



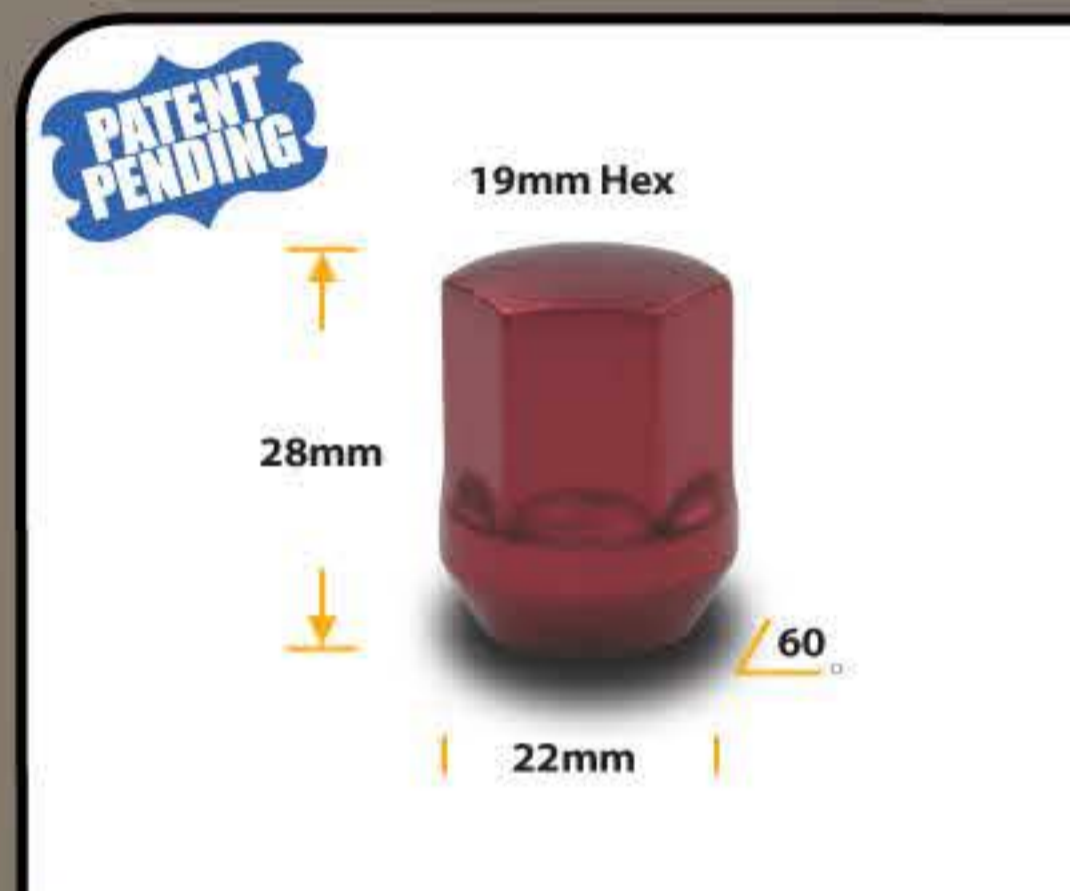
Short Racing Nut 19mm Hex
- Black

PART #	THREAD SIZE
AL411144BC	12mm x 1.25
AL411145BC	12mm x 1.50



Short Racing Nut 19mm Hex
- Blue

PART #	THREAD SIZE
AL411144BL	12mm x 1.25
AL411145BL	12mm x 1.50



Short Racing Nut 19mm Hex
- Red

PART #	THREAD SIZE
AL411144RD	12mm x 1.25
AL411145RD	12mm x 1.50



Short Racing Nut 19mm Hex
- Gold

PART #	THREAD SIZE
AL411144GD	12mm x 1.25
AL411145GD	12mm x 1.50



Racing Nut 19mm Hex
- Silver

PART #	THREAD SIZE
AL411442AG	1/2"-20
AL411444AG	12mm x 1.25
AL411445AG	12mm x 1.50
AL411450AG	12mm x 1.75



Racing Nut 19mm Hex
- Titanium

PART #	THREAD SIZE
AL411442TI	1/2"-20
AL411444TI	12mm x 1.25
AL411445TI	12mm x 1.50
AL411450TI	12mm x 1.75



Racing Nut 19mm Hex
- Blue

PART #	THREAD SIZE
AL411442BL	1/2"-20
AL411444BL	12mm x 1.25
AL411445BL	12mm x 1.50
AL411450BL	12mm x 1.75

LUG NUTS

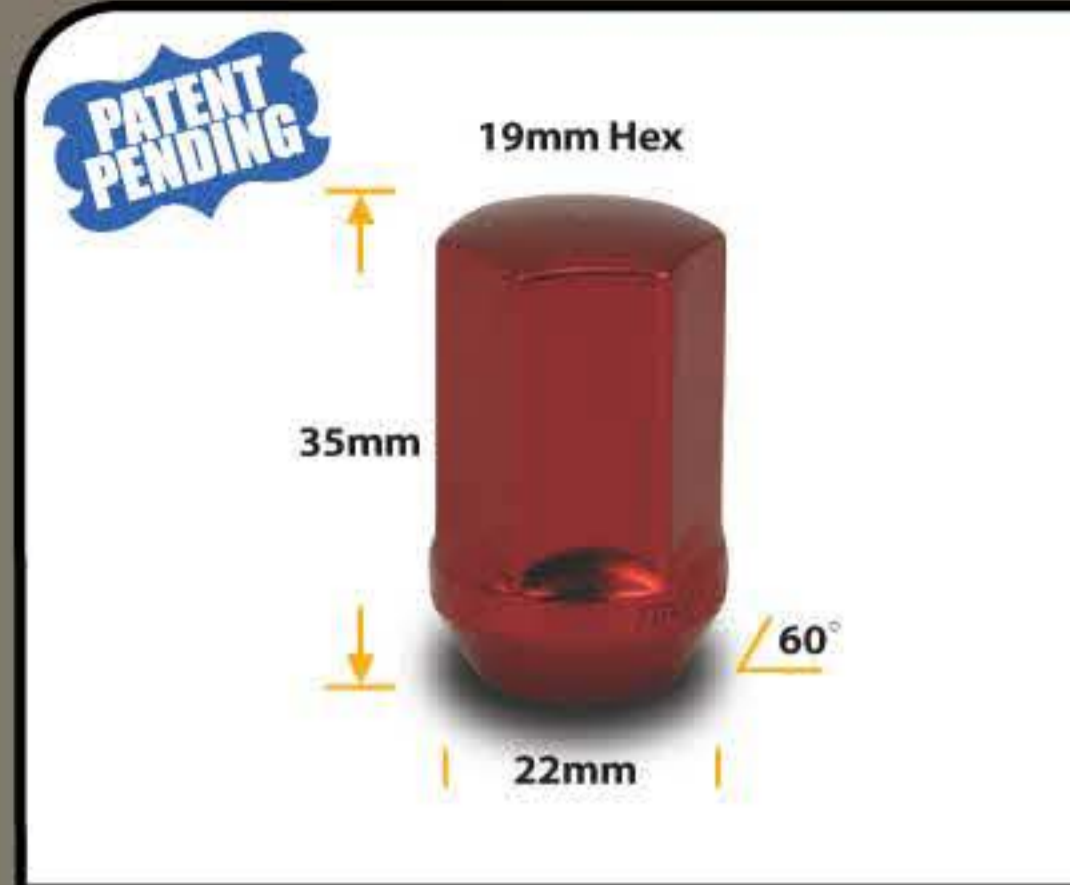
Cold-Forged Aluminum

19MM HEX



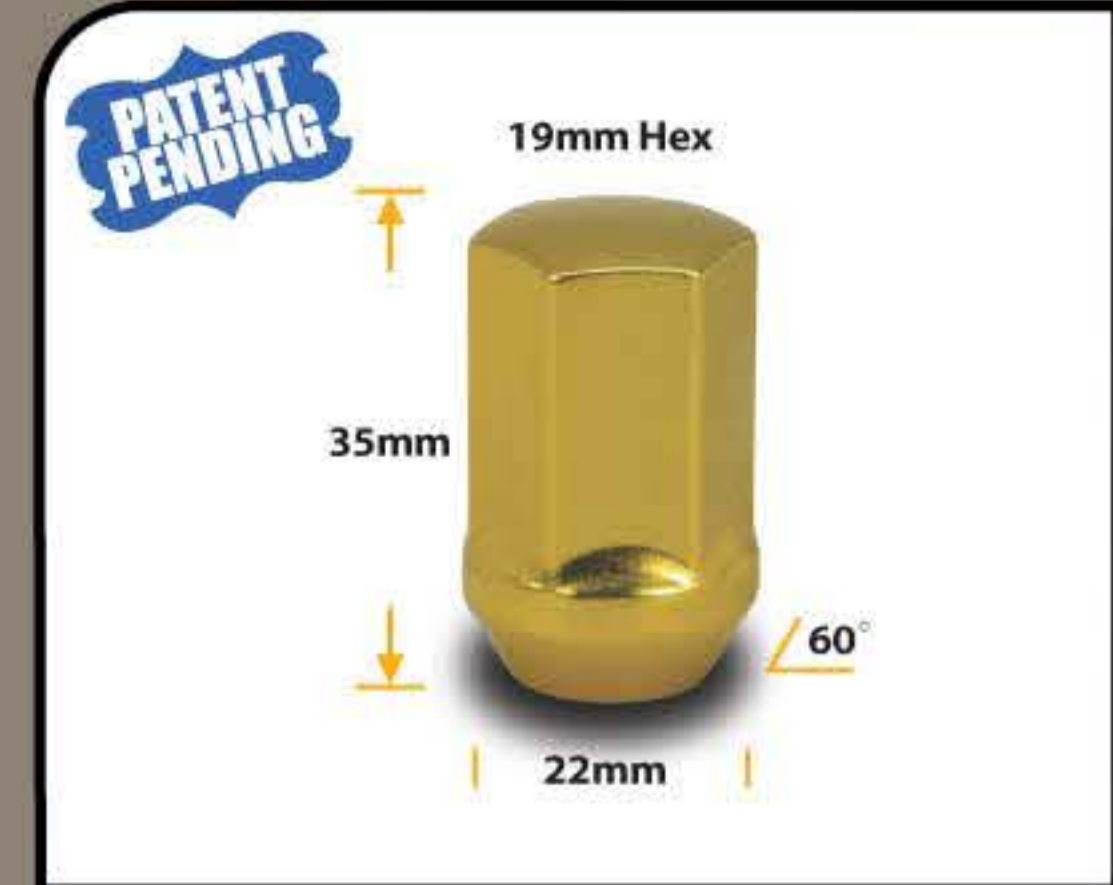
Racing Nut 19mm Hex
- Black

PART #	THREAD SIZE
AL411442BC	1/2"-20
AL411444BC	12mm x 1.25
AL411445BC	12mm x 1.50
AL411450BC	12mm x 1.75



Racing Nut 19mm Hex
- Red

PART #	THREAD SIZE
AL411442RD	1/2"-20
AL411444RD	12mm x 1.25
AL411445RD	12mm x 1.50
AL411450RD	12mm x 1.75



Racing Nut 19mm Hex
- Gold

PART #	THREAD SIZE
AL411442GD	1/2"-20
AL411444GD	12mm x 1.25
AL411445GD	12mm x 1.50
AL411450GD	12mm x 1.75



Duplex Racing Nut 19mm Hex
- Silver

PART #	THREAD SIZE
AL411842AG	1/2"-20
AL411844AG	12mm x 1.25
AL411845AG	12mm x 1.50
AL411850AG	12mm x 1.75



Duplex Racing Nut 19mm Hex
- Titanium

PART #	THREAD SIZE
AL411842TI	1/2"-20
AL411844TI	12mm x 1.25
AL411845TI	12mm x 1.50
AL411850TI	12mm x 1.75



Duplex Racing Nut 19mm Hex
- Black

PART #	THREAD SIZE
AL411842BC	1/2"-20
AL411844BC	12mm x 1.25
AL411845BC	12mm x 1.50
AL411850BC	12mm x 1.75



Duplex Racing Nut 19mm Hex
- Blue

PART #	THREAD SIZE
AL411842BL	1/2"-20
AL411844BL	12mm x 1.25
AL411845BL	12mm x 1.50
AL411850BL	12mm x 1.75



Duplex Racing Nut 19mm Hex
- Red

PART #	THREAD SIZE
AL411842RD	1/2"-20
AL411844RD	12mm x 1.25
AL411845RD	12mm x 1.50
AL411850RD	12mm x 1.75



Duplex Racing Nut 19mm Hex
- Gold

PART #	THREAD SIZE
AL411842GD	1/2"-20
AL411844GD	12mm x 1.25
AL411845GD	12mm x 1.50
AL411850GD	12mm x 1.75

LUG NUTS

Cold-Forged Aluminum

THE NEWEST INNOVATION

Aluminum Lock 6 Spline



Provided with 19mm Hex Triple Nickel/Chrome Key

Available in 13 colors

WHEEL LOCKS

Aluminum Lock 6 Spline

19mm Hex Racing Nut



Size Comparison

- Engineered to go along perfectly with our 19mm Hex Racing Nuts
- All the distinguishing features of our Cold-Forged Aluminum Products with ability to lock your Premium Wheels



Aluminum Lock - 6 Spline - Red

PART #	THREAD SIZE
AL221444RD	12mm x 1.25
AL221445RD	12mm x 1.50

*Please provide Color Code when ordering

Small Diameter

6 SPLINE TUNER

SMALL DIAMETER LUG NUTS

Material - AISI 1008 ~ 1010

Finish - Zinc, Triple Nickel/Chrome

Durability - Zinc 72hr salt spray,
Nickel/Chrome 96hr salt spray

Hardness Treatment - Carbonized

Design - Open-end, 2pc Cold Forged/welded cap,
Scratch-Free, Adjusting, E-T/Ultra, 6 Spline Tuner,
8 Point Tuner and 12 Point Tuner

Other Finish Available - Electronic Disposition Blue & Red,
Black Chrome, 24 Karat Gold



O/E 6 Spline Tuner Nut

PART #	THREAD SIZE
200040SD	7/16"-20
200042SD	1/2"-20
200044SD	12mm x 1.25
200045SD	12mm x 1.50
200050SD	12mm x 1.75



6 Spline Tuner Nut

PART #	THREAD SIZE
211140SD	7/16"-20
211142SD	1/2"-20
211144SD	12mm x 1.25
211145SD	12mm x 1.50
211150SD	12mm x 1.75



6 Spline Tuner Nut - Black

PART #	THREAD SIZE
211140SD/BC	7/16"-20
211142SD/BC	1/2"-20
211144SD/BC	12mm x 1.25
211145SD/BC	12mm x 1.50
211150SD/BC	12mm x 1.75



6 Spline Tuner Nut - Gold

PART #	THREAD SIZE
211140SD/GD	7/16"-20
211142SD/GD	1/2"-20
211144SD/GD	12mm x 1.25
211145SD/GD	12mm x 1.50
211150SD/GD	12mm x 1.75



6 Spline Tuner Nut - Blue

PART #	THREAD SIZE
211140SD/BL	7/16"-20
211142SD/BL	1/2"-20
211144SD/BL	12mm x 1.25
211145SD/BL	12mm x 1.50
211150SD/BL	12mm x 1.75



6 Spline Tuner Nut - Red

PART #	THREAD SIZE
211140SD/RD	7/16"-20
211142SD/RD	1/2"-20
211144SD/RD	12mm x 1.25
211145SD/RD	12mm x 1.50
211150SD/RD	12mm x 1.75



Scratch-Free
6 Spline Tuner Nut

PART #	THREAD SIZE
221144SD	12mm x 1.25
221145SD	12mm x 1.50

LUG NUTS

Small Diameter

6 SPLINE TUNER



Adjusting
6 Spline Tuner Nut

PART #	THREAD SIZE
231144SD/AD	12mm x 1.25
231145SD/AD	12mm x 1.50



E-T/Ultra 6 Spline Tuner Nut

PART #	THREAD SIZE
211144SD/ET	12mm x 1.25
211145SD/ET	12mm x 1.50



6 Spline Tuner Key

PART #	SIZE
192106SD/KEY	3/4" & 13/16"



O/E 6 Spline Tuner Nut
- Truck

PART #	THREAD SIZE
260042SD	1/2"-20
260067SD	9/16"-18
260048SD	14mm x 1.50
260073SD	14mm x 2.00



Short 6 Spline Tuner Nut
- Truck

PART #	THREAD SIZE
261442SD	1/2"-20
261467SD	9/16"-18
261448SD	14mm x 1.50
261473SD	14mm x 2.00



E-T/Ultra Short 6 Spline Tuner Nut
- Truck

PART #	THREAD SIZE
261442SD/ET	1/2"-20
261467SD/ET	9/16"-18
261448SD/ET	14mm x 1.50
261473SD/ET	14mm x 2.00



6 Spline Tuner Nut
- Truck

PART #	THREAD SIZE
262042SD	1/2"-20
262067SD	9/16"-18
262048SD	14mm x 1.50
262073SD	14mm x 2.00



E-T/Ultra 6 Spline Tuner Nut
- Truck

PART #	THREAD SIZE
262042SD/ET	1/2"-20
262067SD/ET	9/16"-18
262048SD/ET	14mm x 1.50
262073SD/ET	14mm x 2.00



6 Spline Tuner Key - Truck

PART #	SIZE
137806SD/KEY	13/16" & 7/8"

Small Diameter

8 POINT TUNER



O/E 8 Point Tuner Nut

PART #	THREAD SIZE
600040SD	7/16"-20
600042SD	1/2"-20
600044SD	12mm x 1.25
600045SD	12mm x 1.50
600050SD	12mm x 1.75



8 Point Tuner Nut

PART #	THREAD SIZE
611140SD	7/16"-20
611142SD	1/2"-20
611144SD	12mm x 1.25
611145SD	12mm x 1.50
611150SD	12mm x 1.75



8 Point Tuner Nut - Black

PART #	THREAD SIZE
611140SD/BC	7/16"-20
611142SD/BC	1/2"-20
611144SD/BC	12mm x 1.25
611145SD/BC	12mm x 1.50
611150SD/BC	12mm x 1.75



8 Point Tuner Key

PART #	THREAD SIZE
192108SD/KEY	3/4" & 13/16"



O/E 8 Point Tuner Nut - Truck

PART #	THREAD SIZE
660042SD	1/2"-20
660067SD	9/16"-18
660048SD	14mm x 1.50
660073SD	14mm x 2.00



8 Point Tuner Nut - Truck

PART #	THREAD SIZE
662042SD	1/2"-20
662067SD	9/16"-18
662048SD	14mm x 1.50
662073SD	14mm x 2.00



XL 8 Point Tuner Nut - Truck

PART #	THREAD SIZE
662442SD	1/2"-20
662467SD	9/16"-18
662448SD	14mm x 1.50
662473SD	14mm x 2.00

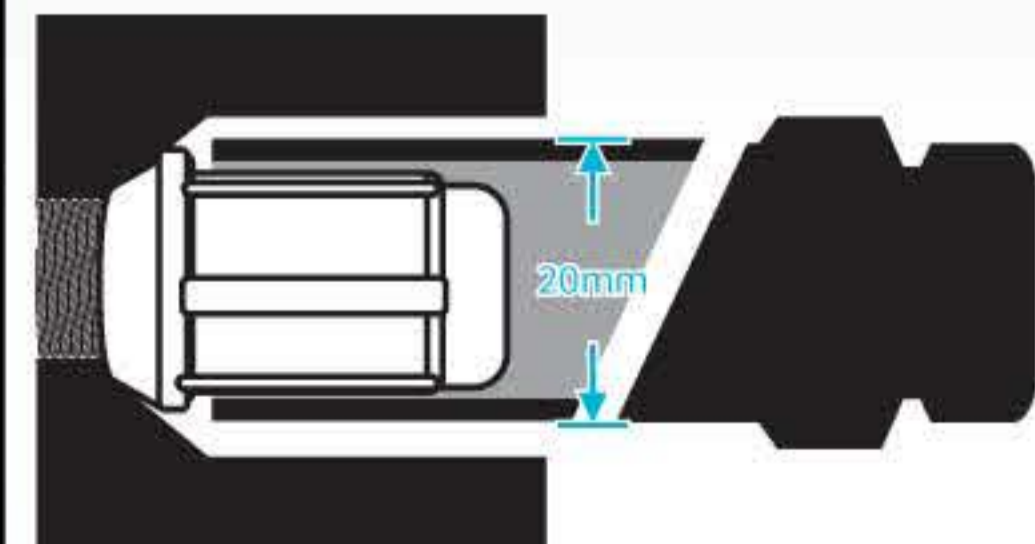


8 Point Tuner Key - Truck

PART #	THREAD SIZE
137808SD/KEY	13/16" & 7/8"

SMALL DIAMETER DESIGN

- External pattern provides even torque when installing
- Bulge design increases seating surface
- Cap prevents corrosion and increases allowable stud engagement



LUG NUTS

Small Diameter

12 POINT TUNER



O/E 12 Point Tuner Nut

PART #	THREAD SIZE
900040SD	7/16"-20
900042SD	1/2"-20
900044SD	12mm x 1.25
900045SD	12mm x 1.50
900050SD	12mm x 1.75



12 Point Tuner Nut

PART #	THREAD SIZE
911140SD	7/16"-20
911142SD	1/2"-20
911144SD	12mm x 1.25
911145SD	12mm x 1.50
911150SD	12mm x 1.75



12 Point Tuner Key

PART #	SIZE
192112SD/KEY	3/4" & 13/16"



O/E 12 Point Tuner Nut - Truck

PART #	THREAD SIZE
960042SD	1/2"-20
960067SD	9/16"-18
960048SD	14mm x 1.50
960073SD	14mm x 2.00

5 SPLINE TUNER LOCKING NUTS

Our durable chrome vanadium key provided with dual hex and triple nickel/chrome plating



Capped Locks are provided with our **Mark of Perfection**

Provided for both Car and Truck applications

Please refer to page 47 when ordering



12 Point Tuner Nut - Truck

PART #	THREAD SIZE
962042SD	1/2"-20
962067SD	9/16"-18
962048SD	14mm x 1.50
962073SD	14mm x 2.00



XL 12 Point Tuner Nut - Truck

PART #	THREAD SIZE
962442SD	1/2"-20
962467SD	9/16"-18
962448SD	14mm x 1.50
962473SD	14mm x 2.00



12 Point Tuner Key - Truck

PART #	SIZE
137812SD/KEY	13/16" & 7/8"

LUG NUTS

Hex Socket

HEX SOCKET LUG NUTS

Material - 50BV30

Finish - Zinc, Triple Nickel/Chrome

Durability - Nickel/Chrome 96hr salt spray

Hardness Treatment - Carbonized

Design - Allen hexagonal head, acorn and E-T/Ultra Style seat

Other Finish Available - Electronic Disposition Blue & Red, Black Chrome, 24 Karat Gold



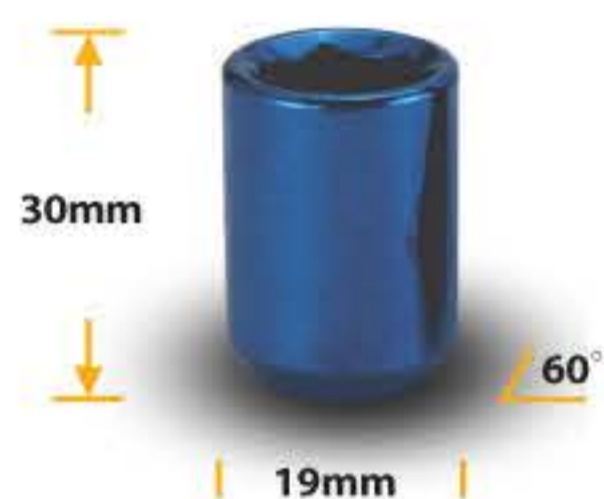
Hex Acorn Socket Nut

PART #	THREAD SIZE
200040	7/16"-20
200042	1/2"-20
200035	10mm x 1.25
200044	12mm x 1.25
200045	12mm x 1.50
200050	12mm x 1.75



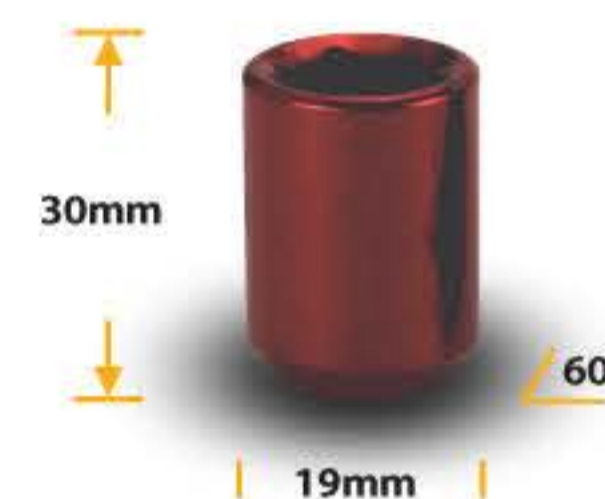
Hex Acorn Socket Nut - Black

PART #	THREAD SIZE
200040BC	7/16"-20
200042BC	1/2"-20
200035BC	10mm x 1.25
200044BC	12mm x 1.25
200045BC	12mm x 1.50
200050BC	12mm x 1.75



Hex Acorn Socket Nut - Blue

PART #	THREAD SIZE
200040BL	7/16"-20
200042BL	1/2"-20
200035BL	10mm x 1.25
200044BL	12mm x 1.25
200045BL	12mm x 1.50
200050BL	12mm x 1.75



Hex Acorn Socket Nut - Red

PART #	THREAD SIZE
200040RD	7/16"-20
200042RD	1/2"-20
200035RD	10mm x 1.25
200044RD	12mm x 1.25
200045RD	12mm x 1.50
200050RD	12mm x 1.75



LUG NUTS

Hex Socket

LUG NUTS



XL Hex Acorn Socket Nut

PART #	THREAD SIZE
200040XL	7/16"-20
200042XL	1/2"-20
200044XL	12mm x 1.25
200045XL	12mm x 1.50
200050XL	12mm x 1.75



E-T/Ultra Socket Nut

PART #	THREAD SIZE
210044ET	12mm x 1.25
210045ET	12mm x 1.50



E-T/Ultra Socket Nut - Black

PART #	THREAD SIZE
210044ET/BC	12mm x 1.25
210045ET/BC	12mm x 1.50



Hex Socket Key

PART #	SIZE
192112XL/KEY	19mm & 21mm

HEX SOCKET LOCKING NUTS

★ **Special PATENTED DESIGN** allows user to have one key to remove both Hex Socket Nut and Locking Nut

Please refer to page 47 when ordering



Duplex Hex Acorn Socket Nut

PART #	THREAD SIZE
260042	1/2"-20
260067	9/16"-18
260044	12mm x 1.25
260045	12mm x 1.50
260050	12mm x 1.75
260048	14mm x 1.50
260073	14mm x 2.00



XL Duplex Hex Acorn Socket Nut

PART #	THREAD SIZE
260067XL	9/16"-18
260048XL	14mm x 1.50
260073XL	14mm x 2.00



Hex Socket Key

PART #	SIZE
212215XL/KEY (70mmL)	21mm & 22mm

Taper Style

TAPER STYLE LUG NUTS

Material - AISI 1008 ~ 1010 / 50BV30

Finish - Zinc, Triple Nickel/Chrome

Durability - Zinc 72hr salt spray,
Nickel/Chrome 96hr salt spray

Hardness Treatment - Carbonized

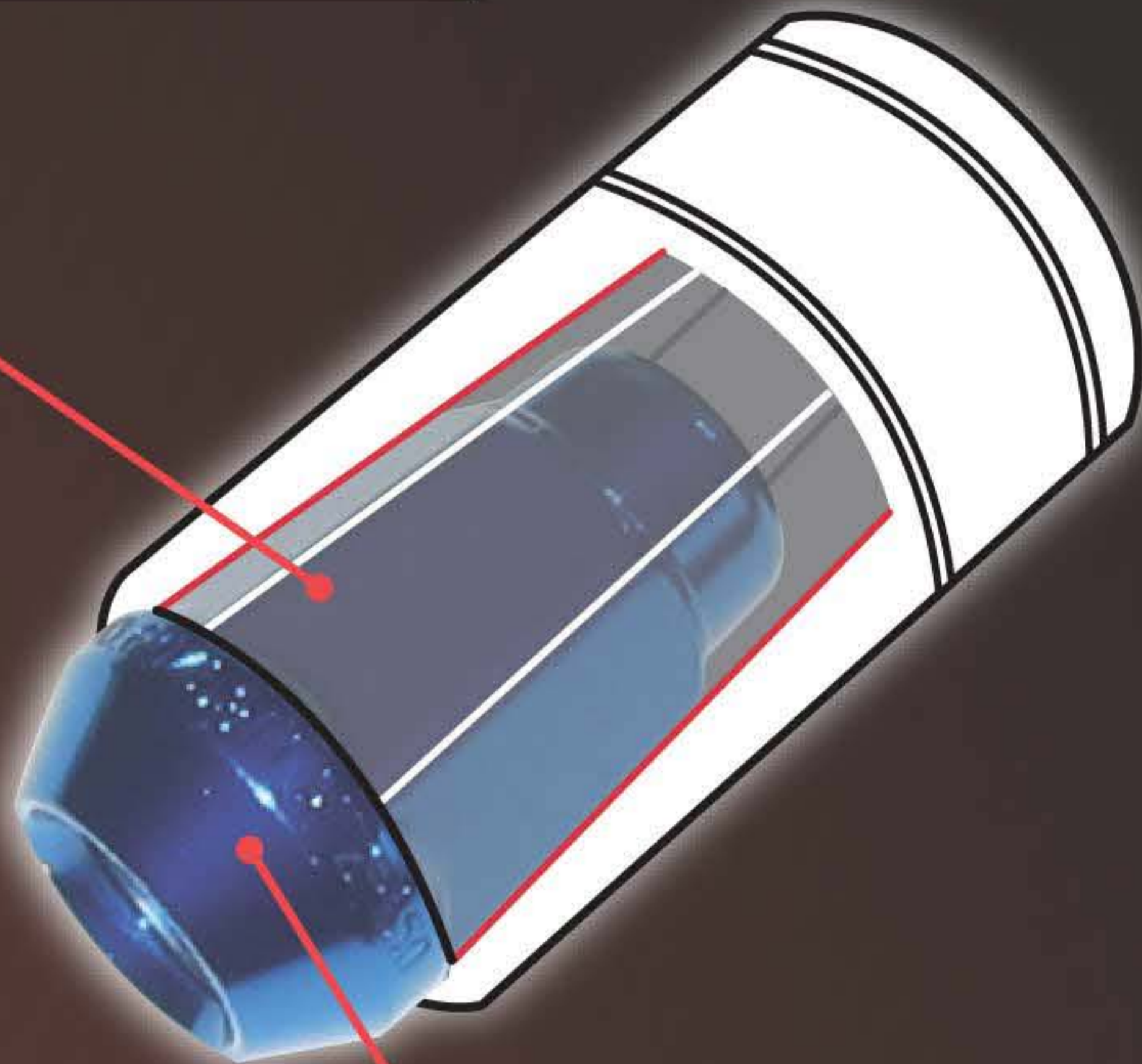
Design - Open-end, 2pc Cold Forged/welded cap, PCD Type,
17-19mm, 19-21mm and 21-21mm LX470 type

Other Finish Available - Electronic Disposition Blue & Red,
Black Chrome, 24 Karat Gold

EXCLUSIVELY FROM
TAPER PRO

As the illustration shows-
When tapering the walls of the lug nut
and socket you achieve 6 sided,
full surface area contact.

Offered in a variety
of colors to fulfill
consumer needs.



Torque is distributed evenly across the
surface of the nut compared to the outer
edges of traditional lug nuts.
Reduces chance of Marring.

All lug nuts are cold forged from highly durable AISI 1008
Carbon steel, heated for increased strength and then triple nickel
& chrome plated for corrosion resistance and beauty.

LUG
NUTS

Taper Style

LUG NUTS



O/E Std. Taper Lug Nut
Ball Seat - Black

PART #	THREAD SIZE
600645B/BC	12mm x 1.50



Std. Taper Lug Nut

PART #	THREAD SIZE
611638	3/8"-24
611640	7/16"-20
611642	1/2"-20
611635	10mm x 1.25
611644	12mm x 1.25
611645	12mm x 1.50
611650	12mm x 1.75
611648	14mm x 1.50
611673	14mm x 2.00



Std. Taper Lug Nut - Black

PART #	THREAD SIZE
611638BC	3/8"-24
611640BC	7/16"-20
611642BC	1/2"-20
611635BC	10mm x 1.25
611644BC	12mm x 1.25
611645BC	12mm x 1.50
611650BC	12mm x 1.75
611648BC	14mm x 1.50
611673BC	14mm x 2.00



Std. Taper Lug Nut - Gold

PART #	THREAD SIZE
611638GD	3/8"-24
611640GD	7/16"-20
611642GD	1/2"-20
611635GD	10mm x 1.25
611644GD	12mm x 1.25
611645GD	12mm x 1.50
611650GD	12mm x 1.75
611648GD	14mm x 1.50
611673GD	14mm x 2.00



Std. Taper Lug Nut - Blue

PART #	THREAD SIZE
611638BL	3/8"-24
611640BL	7/16"-20
611642BL	1/2"-20
611635BL	10mm x 1.25
611644BL	12mm x 1.25
611645BL	12mm x 1.50
611650BL	12mm x 1.75
611648BL	14mm x 1.50
611673BL	14mm x 2.00



Std. Taper Lug Nut - Red

PART #	THREAD SIZE
611638RD	3/8"-24
611640RD	7/16"-20
611642RD	1/2"-20
611635RD	10mm x 1.25
611644RD	12mm x 1.25
611645RD	12mm x 1.50
611650RD	12mm x 1.75
611648RD	14mm x 1.50
611673RD	14mm x 2.00



O/E Adjusting Taper Lug Nut

PART #	THREAD SIZE
600642AD	1/2"-20
600644AD	12mm x 1.25
600645AD	12mm x 1.50



Adjusting Taper Lug Nut

PART #	THREAD SIZE
611642AD	1/2"-20
611644AD	12mm x 1.25
611645AD	12mm x 1.50



Taper Adapter

PART #	SIZE
192179	19mm & 21mm MALE 17mm to 19mm FEMALE

*Chrome Key also Available

Taper Style

LUG NUTS



Taper Socket (1/2" Drive)

PART #	SIZE
116611	17mm to 19mm



Duplex Taper Lug Nut

PART #	THREAD SIZE
811838	3/8"-24
811840	7/16"-20
811842	1/2"-20
811844	12mm x 1.25
811845	12mm x 1.50
811850	12mm x 1.75
811848	14mm x 1.50
811873	14mm x 2.00



Duplex Taper Lug Nut - Black

PART #	THREAD SIZE
811838BC	3/8"-24
811840BC	7/16"-20
811842BC	1/2"-20
811844BC	12mm x 1.25
811845BC	12mm x 1.50
811850BC	12mm x 1.75
811848BC	14mm x 1.50
811873BC	14mm x 2.00



Duplex Taper Lug Nut - Gold

PART #	THREAD SIZE
811838GD	3/8"-24
811840GD	7/16"-20
811842GD	1/2"-20
811844GD	12mm x 1.25
811845GD	12mm x 1.50
811850GD	12mm x 1.75
811848GD	14mm x 1.50
811873GD	14mm x 2.00



Duplex Taper Lug Nut - Blue

PART #	THREAD SIZE
811838BL	3/8"-24
811840BL	7/16"-20
811842BL	1/2"-20
811844BL	12mm x 1.25
811845BL	12mm x 1.50
811850BL	12mm x 1.75
811848BL	14mm x 1.50
811873BL	14mm x 2.00



Duplex Taper Lug Nut - Red

PART #	THREAD SIZE
811838RD	3/8"-24
811840RD	7/16"-20
811842RD	1/2"-20
811844RD	12mm x 1.25
811845RD	12mm x 1.50
811850RD	12mm x 1.75
811848RD	14mm x 1.50
811873RD	14mm x 2.00



XL Duplex Taper Lug Nut

PART #	THREAD SIZE
811842XL	1/2"-20
811867XL	9/16"-18
811844XL	12mm x 1.25
811845XL	12mm x 1.50
811850XL	12mm x 1.75
811848XL	14mm x 1.50
811873XL	14mm x 2.00



XL Duplex Taper Lug Nut - Black

PART #	THREAD SIZE
811842XL/BC	1/2"-20
811867XL/BC	9/16"-18
811844XL/BC	12mm x 1.25
811845XL/BC	12mm x 1.50
811850XL/BC	12mm x 1.75
811848XL/BC	14mm x 1.50
811873XL/BC	14mm x 2.00



XL Duplex Taper Lug Nut - Gold

PART #	THREAD SIZE
811842XL/GD	1/2"-20
811867XL/GD	9/16"-18
811844XL/GD	12mm x 1.25
811845XL/GD	12mm x 1.50
811850XL/GD	12mm x 1.75
811848XL/GD	14mm x 1.50
811873XL/GD	14mm x 2.00

Taper Style

LUG NUTS



Taper - RX300

PART #	THREAD SIZE
824845	12mm x 1.50



Taper - RX330

PART #	THREAD SIZE
823845	12mm x 1.50



Taper Socket (1/2" Drive)

PART #	SIZE
118811	19mm to 21mm

Taper Style also provided in Toyota OEM to fit original wheels

Premium Style and function for your wheels



Taper - LX470

PART #	THREAD SIZE
834748	14mm x 1.50



Taper Adapter for LX470

PART #	SIZE
212212	21mm & 22mm MALE 21mm to 22mm FEMALE



STANDARD

LUG BOLTS

ZINC



Zinc Bolts (Trivalent Chromate) are **EU APPROVED** and easy to use for both install shops and end-user since they are stamped on the head with Thread Size, Grade 10.9 and Seating Radius for ball seat applications.

We do what it takes to make things easier and more convenient.

CHROME

Our Chrome lug bolts **GREATLY SURPASS** industry standards to reach a Grade 12.9 (1340 MPa according to SGS Report TS-07-02707X).

We believe in not just making a product, but to push the standard higher.



LIFETIME



Exotic Grade 12.9 bolt engineered for high end performance applications of **PORSCHE** owners with a finish second to none.

When we say LIFETIME we mean it.

(Minimum quantities apply.)

TITANIUM

For those **CHOSEN FEW** that demand a product **25% LIGHTER** than steel and a large color variation provided with the Titanium molecularly unique composition.

(Minimum quantities apply.)



Grade 12.9

17mm Hex



CONE SEAT

17MM HEX LUG BOLTS

Material - ASTM 4140, Chrome Vanadium and Chrome Molybdenum

Finish - Zinc, Triple Nickel/Chrome

Durability - Zinc 72hr salt spray, Nickel/Chrome 96hr salt spray

Hardness Treatment - Through treatment

Design - Cone Seat, Ball Seat R12 also available in R13 or R14

Other Finish Available - Black Chrome



17mm Hex Lug Bolt - Cone Seat

PART #	THREAD SIZE
175093	12mm x 1.50 x 0.93"



17mm Hex Lug Bolt - Cone Seat

PART #	THREAD SIZE
177100	14mm x 1.25 x 1.00"

*Designed for 2007 Mini Cooper



17mm Hex Lug Bolt - Cone Seat

PART #	THREAD SIZE
174105	14mm x 1.50 x 1.05"



17mm Hex Lug Bolt - Cone Seat

PART #	THREAD SIZE
175110	12mm x 1.50 x 1.10"



17mm Hex Lug Bolt - Cone Seat

PART #	THREAD SIZE
174125	14mm x 1.50 x 1.25"



17mm Hex Lug Bolt - Cone Seat

PART #	THREAD SIZE
175160	12mm x 1.50 x 1.60"



17mm Hex Lug Bolt - Cone Seat

PART #	THREAD SIZE
175295	12mm x 1.50 x 2.95"
174295	14mm x 1.50 x 2.95"

LUG BOLTS



17mm Hex

CONE SEAT



17mm Hex Sliding Bolt

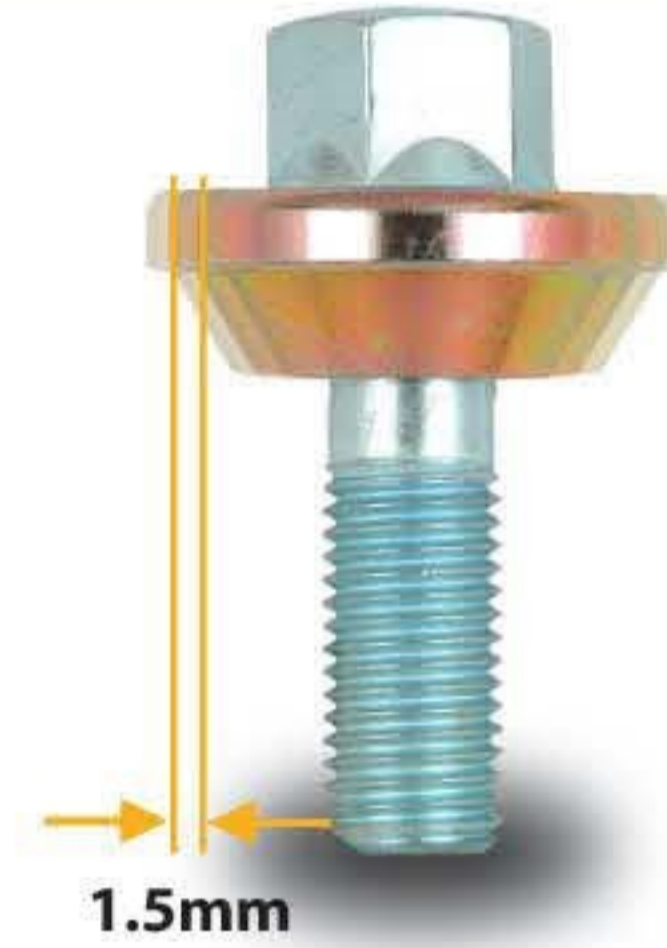
PART #	THREAD SIZE
342126SL	12mm x 1.25 x 1.26"
345126SL	12mm x 1.50 x 1.26"
344126SL	14mm x 1.50 x 1.26"



17mm Hex Adjusting Bolt

PART #	THREAD SIZE
442126AD	12mm x 1.25 x 1.26"
445126AD	12mm x 1.50 x 1.26"
444126AD	14mm x 1.50 x 1.26"

Sliding and Adjusting Bolts provide a MAX of 1.5mm variation, allowing you to put wheels on with different PCD configurations.



BALL SEAT



17mm Hex Lug Bolt - Ball Seat

PART #	THREAD SIZE
185816	12mm x 1.50 x 0.816"



17mm Hex Lug Bolt - Ball Seat

PART #	THREAD SIZE
185100	12mm x 1.50 x 1.00"



17mm Hex Lug Bolt - Ball Seat

PART #	THREAD SIZE
184105	14mm x 1.50 x 1.05"



17mm Hex Lug Bolt - Ball Seat

PART #	THREAD SIZE
185112	12mm x 1.50 x 1.12"



17mm Hex Lug Bolt - Ball Seat - Black

PART #	THREAD SIZE
184118BC	14mm x 1.50 x 1.18"



17mm Hex Lug Bolt - Ball Seat

PART #	THREAD SIZE
184125	14mm x 1.50 x 1.25"

LUG BOLTS

17mm Hex



BALL SEAT



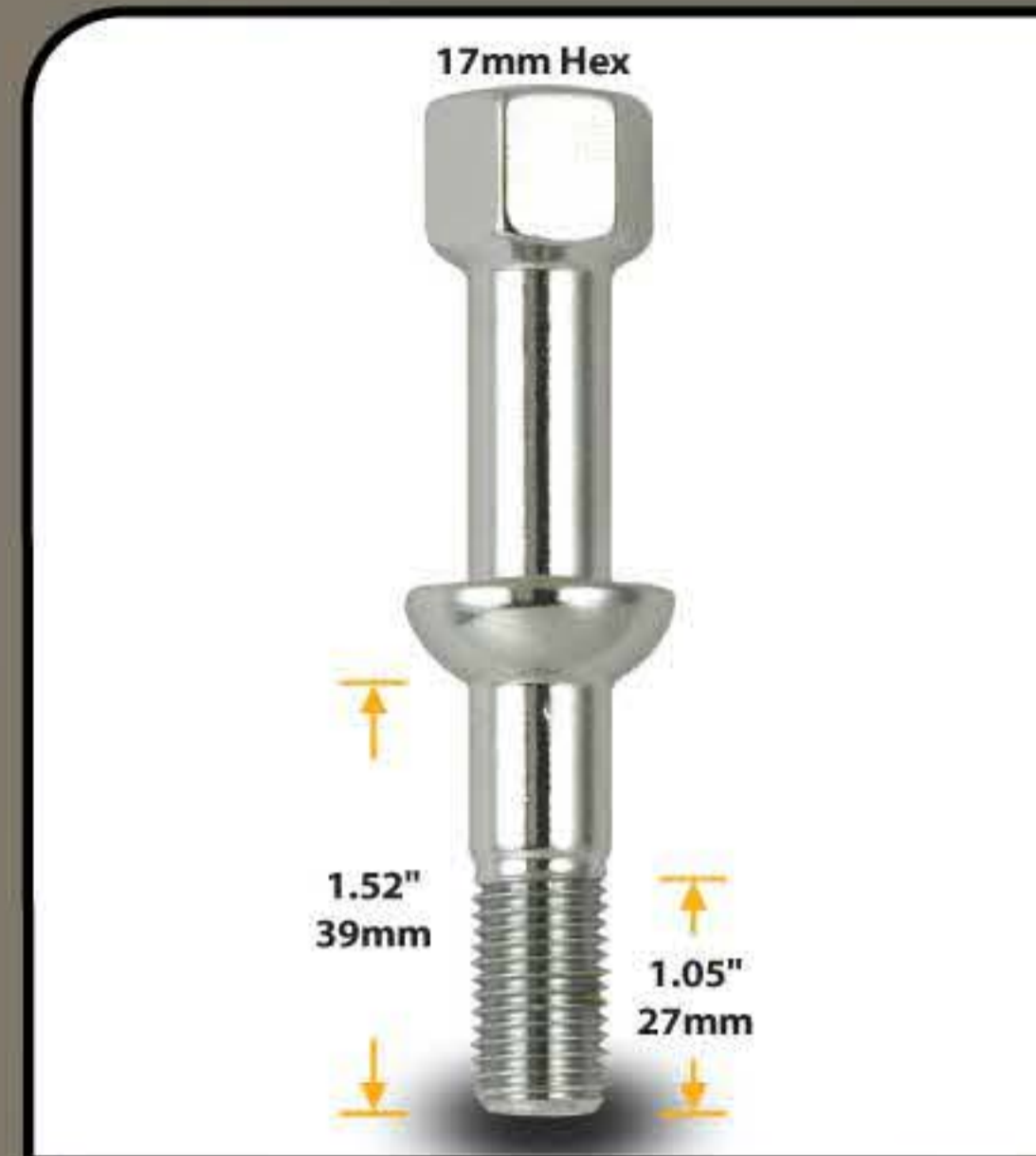
17mm Hex Lug Bolt - Ball Seat

PART # 185152 **THREAD SIZE** 12mm x 1.50 x 1.52"



17mm Hex Lug Bolt - Ball Seat

PART # 185195 **THREAD SIZE** 12mm x 1.50 x 1.95"



17mm Hex Lug Bolt - Ball Seat

PART # 185025 **THREAD SIZE** 12mm x 1.50 x 1.52"
*Effective Thread Provided



17mm Hex Lug Bolt - Ball Seat

PART # 184295 **THREAD SIZE** 14mm x 1.50 x 2.95"



CONE SEAT

TITANIUM LUG BOLTS

Material - Ti-6-4
Finish - Original / Colorful
Durability - Corrosion and Oxidation resistant
Hardness Treatment - Through treatment
Design - Machined from Bar Stock
Other Finish Available - Blue, Green, Indigo, Purple and Rainbow



17mm Hex Titanium Lug Bolt - Cone Seat

PART # 175110TI **THREAD SIZE** M12 x 1.50 x 1.10"



17mm Hex Titanium Lug Bolt - Cone Seat

PART # 175130TI **THREAD SIZE** M12 x 1.50 x 1.30"

LUG BOLTS



17mm Hex

CONE SEAT

LUG BOLTS



17mm Hex Lug Bolt - Cone Seat
PART # 075093
THREAD SIZE 12mm x 1.50 x 0.93"



17mm Hex Lug Bolt - Cone Seat
PART # 074105
THREAD SIZE 14mm x 1.50 x 1.05"



17mm Hex Lug Bolt - Cone Seat
PART # 075110
THREAD SIZE 12mm x 1.50 x 1.10"



17mm Hex Lug Bolt - Cone Seat
PART # 074125
THREAD SIZE 14mm x 1.50 x 1.25"



17mm Hex Lug Bolt - Cone Seat
PART # 075160
THREAD SIZE 12mm x 1.50 x 1.60"



17mm Hex Lug Bolt - Cone Seat
PART # 072295, 075295, 074295
THREAD SIZE 12mm x 1.25 x 2.95", 12mm x 1.50 x 2.95", 14mm x 1.50 x 2.95"

BALL SEAT



17mm Hex Lug Bolt - Ball Seat
PART # 084105
THREAD SIZE 14mm x 1.50 x 1.05"



17mm Hex Lug Bolt - Ball Seat
PART # 085152
THREAD SIZE 12mm x 1.50 x 1.52"



17mm Hex Lug Bolt - Ball Seat
PART # 085295, 084295
THREAD SIZE 12mm x 1.50 x 2.95", 14mm x 1.50 x 2.95"

19mm Hex



CONE SEAT

19MM HEX LUG BOLTS

Material - Chrome Vanadium or Chrome Molybdenum

Finish - Triple Nickel/Chrome

Durability - Nickel/Chrome 96hr salt spray

Hardness Treatment - Through treatment

Design - Cone Seat, Ball Seat R12 also available in R13 or R14

Other Finish Available - Black Chrome

19mm Hex



19mm Hex Lug Bolt - Cone Seat

PART #	THREAD SIZE
1972093	12mm x 1.25 x 0.93"

19mm Hex



19mm Hex Lug Bolt - Cone Seat

PART #	THREAD SIZE
1975105	12mm x 1.50 x 1.05"

19mm Hex



19mm Hex Lug Bolt - Cone Seat

PART #	THREAD SIZE
1972120	12mm x 1.25 x 1.20"

19mm Hex



19mm Hex Lug Bolt - Cone Seat

PART #	THREAD SIZE
1974125	14mm x 1.50 x 1.25"

19mm Hex



19mm Hex Lug Bolt - Cone Seat

PART #	THREAD SIZE
1972195	12mm x 1.25 x 1.95"

BALL SEAT

LIFETIME SLIDING LUG BOLTS

Material - SCM 440

Finish - Triple Nickel/Chrome

Durability - Nickel/Chrome 240hr salt spray

Hardness -

Through treatment

Design - Machined from Bar Stock

Other Finish Available - None

19mm Hex



Lifetime Sliding Lug Bolt - Ball Seat

PART #	THREAD SIZE
1984130SL	14mm x 1.50 x 1.30"

*Effective Thread Provided

19mm Hex



Lifetime Sliding Lug Bolt - Ball Seat

PART #	THREAD SIZE
1984185SL	14mm x 1.50 x 1.85"

*Effective Thread Provided

LUG BOLTS



Small Diameter

CONE SEAT

SMALL DIAMETER TUNER LUG BOLTS

Material - Chrome Vanadium or Chrome Molybdenum

Finish - Triple Nickel/Chrome

Durability - Nickel/Chrome 96hr salt spray

Hardness Treatment - Through treatment

Design - Cone Seat, Ball Seat R12
also available in R13 or R14

Other Finish Available - Black Chrome



6 Spline Tuner Bolt - Cone Seat

PART #	THREAD SIZE
175093SD	12mm x 1.50 x 0.93"



6 Spline Tuner Bolt - Cone Seat - Black

PART #	THREAD SIZE
175093SD/BC	12mm x 1.50 x 0.93"



6 Spline Tuner Bolt - Cone Seat

PART #	THREAD SIZE
170100SD	10mm x 1.25 x 1.00"
177100SD	14mm x 1.25 x 1.00"

*177100SD Designed for 2007 Mini Cooper



6 Spline Tuner Bolt - Cone Seat

PART #	THREAD SIZE
174105SD	14mm x 1.50 x 1.05"



6 Spline Tuner Bolt - Cone Seat

PART #	THREAD SIZE
175110SD	12mm x 1.50 x 1.10"
176110SD	12mm x 1.75 x 1.10"



6 Spline Tuner Bolt - Cone Seat

PART #	THREAD SIZE
174125SD	14mm x 1.50 x 1.25"



6 Spline Tuner Bolt - Cone Seat

PART #	THREAD SIZE
175130SD	12mm x 1.50 x 1.30"

LUG BOLTS

Small Diameter



CONE SEAT



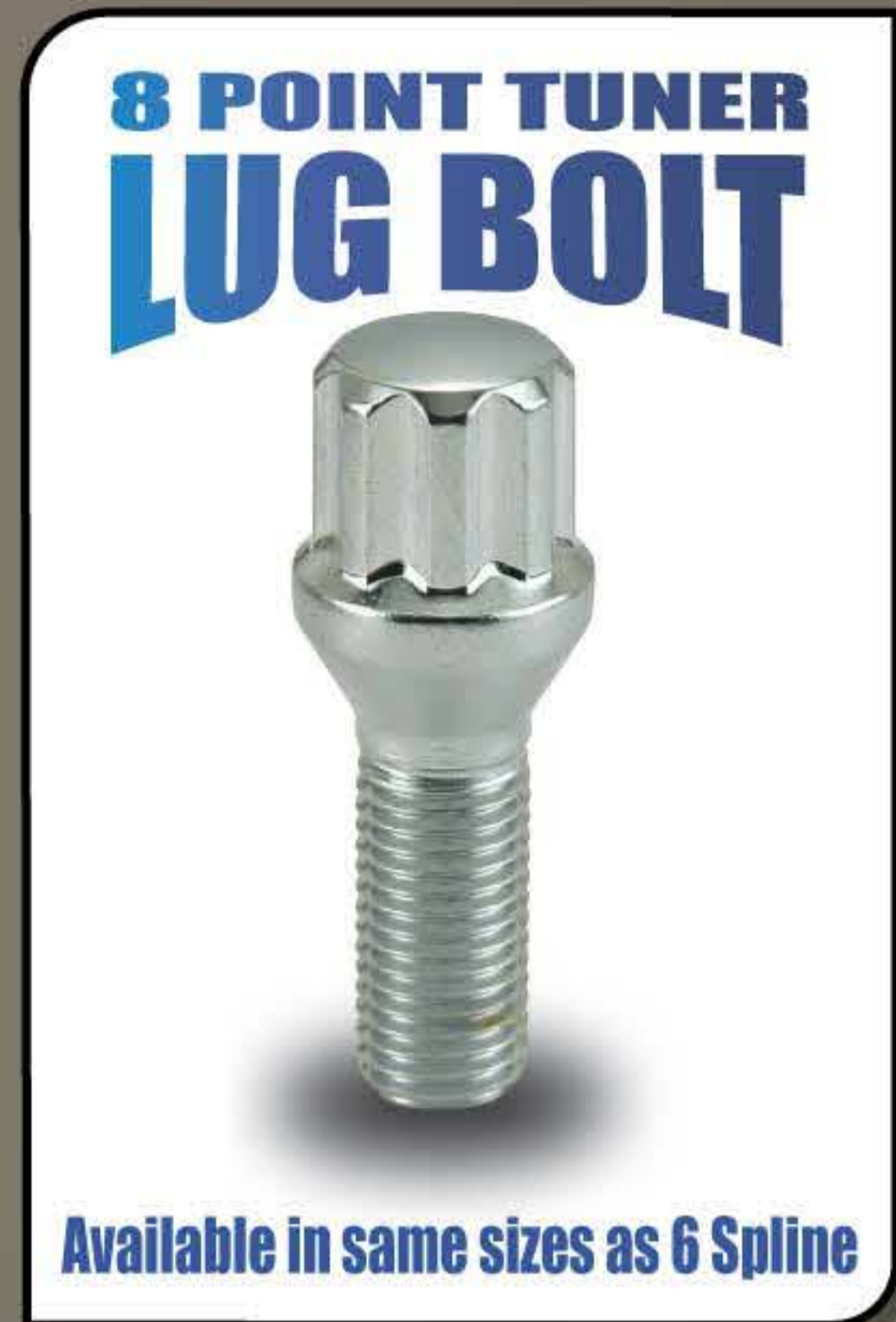
6 Spline Tuner Bolt - Cone Seat

PART #	THREAD SIZE
175160SD	12mm x 1.50 x 1.60"



6 Spline Tuner Bolt - Cone Seat

PART #	THREAD SIZE
175236SD	12mm x 1.50 x 2.36"



BALL SEAT



6 Spline Tuner Bolt - Ball Seat

PART #	THREAD SIZE
185816SD	12mm x 1.50 x 0.816"



6 Spline Tuner Bolt - Ball Seat

PART #	THREAD SIZE
185100SD	12mm x 1.50 x 1.00"



6 Spline Tuner Bolt - Ball Seat

PART #	THREAD SIZE
184105SD	14mm x 1.50 x 1.05"



6 Spline Tuner Bolt - Ball Seat

PART #	THREAD SIZE
185112SD	12mm x 1.50 x 1.12"



6 Spline Tuner Bolt - Ball Seat

PART #	THREAD SIZE
184125SD	14mm x 1.50 x 1.25"



6 Spline Tuner Bolt Key

PART #	SIZE
171906SD/KEY	17mm & 19mm

LUG BOLTS



Hex Socket

CONE SEAT

HEX SOCKET LUG BOLTS

Material - Chrome Vanadium or Chrome Molybdenum

Finish - Triple Nickel/Chrome

Durability - Nickel/Chrome 96hr salt spray

Hardness Treatment - Through treatment

Design - Cone Seat

Other Finish Available - Black Chrome



Hex Socket Bolt

PART #	THREAD SIZE
242100	12mm x 1.25 x 1.00"
245100	12mm x 1.50 x 1.00"
246100	12mm x 1.75 x 1.00"



Hex Socket Bolt

PART #	THREAD SIZE
244100	14mm x 1.50 x 1.00"



Hex Socket Bolt

PART #	THREAD SIZE
242110	12mm x 1.25 x 1.10"
245110	12mm x 1.50 x 1.10"



Hex Socket Bolt

PART #	THREAD SIZE
244110	14mm x 1.50 x 1.10"



Hex Socket Bolt

PART #	THREAD SIZE
242122	12mm x 1.25 x 1.22"
245122	12mm x 1.50 x 1.22"
246122	12mm x 1.75 x 1.22"



Hex Socket Bolt

PART #	THREAD SIZE
244122	14mm x 1.50 x 1.22"



Hex Socket Key

PART #	SIZE
171912XL/KEY	17mm & 19mm

LUG BOLTS

Taper Style



CONE SEAT

TAPER STYLE LUG BOLTS

Material - Chrome Vanadium or Chrome Molybdenum

Finish - Triple Nickel/Chrome

Durability - Nickel/Chrome 96hr salt spray

Hardness Treatment - Through treatment

Design - Cone Seat, Ball Seat R12
also available in R13 or R14

Other Finish Available - Black Chrome

PATENTED

17mm-19mm



Taper Lug Bolt - Cone Seat

PART #	THREAD SIZE
775093	12mm x 1.50 x 0.93"

PATENTED

17mm-19mm



Taper Lug Bolt - Cone Seat

PART #	THREAD SIZE
774105	14mm x 1.50 x 1.05"

PATENTED

17mm-19mm



Taper Lug Bolt - Cone Seat

PART #	THREAD SIZE
775110	12mm x 1.50 x 1.10"
776110	12mm x 1.75 x 1.10"

PATENTED

17mm-19mm



Taper Lug Bolt - Cone Seat

PART #	THREAD SIZE
774125	14mm x 1.50 x 1.25"

PATENTED

17mm-19mm



Taper Lug Bolt - Cone Seat

PART #	THREAD SIZE
775130	12mm x 1.50 x 1.30"

PATENTED

17mm-19mm



Taper Lug Bolt - Cone Seat

PART #	THREAD SIZE
775160	12mm x 1.50 x 1.60"

PATENTED

17mm-19mm



Adjusting Taper Lug Bolt - Cone Seat

PART #	THREAD SIZE
772126AD	M12 x 1.25 x 1.26"
775126AD	M12 x 1.50 x 1.26"
774126AD	M14 x 1.50 x 1.26"

LUG BOLTS



Taper Style

CONE SEAT



Sliding Taper Lug Bolt - Cone Seat

PART #	THREAD SIZE
772126SL	12mm x 1.25 x 1.26"
775126SL	12mm x 1.50 x 1.26"
774126SL	14mm x 1.50 x 1.26"



Taper Adapter

PART #	SIZE
171979	17mm & 19mm MALE 17mm to 19mm FEMALE



Taper Socket (1/2" Drive)

PART #	SIZE
116611	17mm to 19mm

BALL SEAT



Taper Lug Bolt - Ball Seat

PART #	THREAD SIZE
885816	12mm x 1.50 x 0.816"



Taper Lug Bolt - Ball Seat

PART #	THREAD SIZE
885100	12mm x 1.50 x 1.00"



Taper Lug Bolt - Ball Seat

PART #	THREAD SIZE
884105	14mm x 1.50 x 1.05"



Taper Lug Bolt - Ball Seat

PART #	THREAD SIZE
885112	12mm x 1.50 x 1.12"



Taper Lug Bolt - Ball Seat

PART #	THREAD SIZE
884125	14mm x 1.50 x 1.25"



Taper Lug Bolt - Ball Seat

PART #	THREAD SIZE
885152	12mm x 1.50 x 1.52"

LUG BOLTS

Locking Nuts

EXTERNAL



Designed specifically for the Japanese Mini Car Market. The wheel lock is **ONLY 22mm** in height to go along flawlessly with ours or OEM lug nuts.

We listen to what the **CUSTOMER** demands.

ADJUSTING

Maximize fasteners functionality while providing security to wheels and hubs of different PCD dimensions. Our Locks have the function of a 1.5mm variation in the bulge seating surface. Provided with our patent pending Aligning Collar for quick engagement, smaller O.D. and prevent scratching of wheel.



Aligning Collar
Position A

SPINNING



Aligning Collar
Position B

The Spinning Lock comes with an affixed free spinning sleeve that removes one more option for would be thieves. When placed on a wheel is nearly impossible to remove without the proper key. Provided with our patent pending Aligning Collar for quick engagement, smaller O.D. and prevent scratching of wheel.

We **DON'T** make it easy for **CRIMINALS**.

ALUMINUM

When everything matters for a show vehicle, we come through with its *Eye Catching* Aluminum Locks. The Meticulous standards of today's Tuner customers to have the: Lightest, Strongest and Most Colorfully thing on the market.



See Page 22 For More Details

Locking Nuts

EXTERNAL LOCK



O/E Wheel Lock - 18.5L

PART #	THREAD SIZE
706440	7/16" - 20
706442	1/2" - 20
706444	12mm x 1.25
706445	12mm x 1.50
706450	12mm x 1.75
706448	14mm x 1.50
706473	14mm x 2.00



Short Wheel Lock - 22L

PART #	THREAD SIZE
716444S	12mm x 1.25
716445S	12mm x 1.50



Wheel Lock - 31L

PART #	THREAD SIZE
716440	7/16" - 20
716442	1/2" - 20
716444	12mm x 1.25
716445	12mm x 1.50
716450	12mm x 1.75
716448	14mm x 1.50
716473	14mm x 2.00

SLEEVE STYLE



Wheel Lock - 36L
Standard Acorn

PART #	THREAD SIZE
726440	7/16" - 20
726442	1/2" - 20
726444	12mm x 1.25
726445	12mm x 1.50
726450	12mm x 1.75
726448	14mm x 1.50
726473	14mm x 2.00



Wheel Lock - 51L
Duplex Acorn

PART #	THREAD SIZE
766467	9/16" - 18
766448	14mm x 1.50
766473	14mm x 2.00



Wheel Lock - 61L
XL Duplex Acorn

PART #	THREAD SIZE
766467XL	9/16" - 18
766448XL	14mm x 1.50
766473XL	14mm x 2.00



Spinning Lock - 36L
Standard Acorn

PART #	THREAD SIZE
726440X	7/16" - 20
726442X	1/2" - 20
726444X	12mm x 1.25
726445X	12mm x 1.50
726450X	12mm x 1.75
726448X	14mm x 1.50
726473X	14mm x 2.00



Adjusting Lock - 36L
Bulge Acorn

PART #	THREAD SIZE
726440AD	7/16" - 20
726442AD	1/2" - 20
726444AD	12mm x 1.25
726445AD	12mm x 1.50



Ford Lock - 33L
Shank / Rotating Washer

PART #	THREAD SIZE
726445FD	12mm x 1.50

WHEEL LOCKS



Locking Nuts

SLEEVE STYLE



Wheel Lock - 38L
Standard Mag

PART #	THREAD SIZE
736440	7/16"-20
736442	1/2"-20
736444	12mm x 1.25
736445	12mm x 1.50

*Shank Length is 0.75"



Wheel Lock - 5IL
Duplex Mag

PART #	THREAD SIZE
756442	1/2" - 20
756467	9/16" - 18
756448	14mm x 1.50
756473	14mm x 2.00

*Shank Length is 1.00"



Wheel Lock - 6IL
XL Duplex Mag

PART #	THREAD SIZE
756467XL	9/16" - 18
756448XL	14mm x 1.50
756473XL	14mm x 2.00

*Shank Length is 1.00"

SMALL DIAMETER



O/E 5 Spline Tuner
Locking Nuts

PART #	THREAD SIZE
205440SD	7/16"-20
205442SD	1/2"-20
205444SD	12mm x 1.25
205445SD	12mm x 1.50
205450SD	12mm x 1.75



5 Spline Tuner
Locking Nuts

PART #	THREAD SIZE
215440SD	7/16"-20
215442SD	1/2"-20
215444SD	12mm x 1.25
215445SD	12mm x 1.50
215450SD	12mm x 1.75



5 Spline Tuner
Locking Nuts - Truck

PART #	THREAD SIZE
252042SD	1/2"-20
252067SD	9/16"-18
252048SD	14mm x 1.50
252073SD	14mm x 2.00

HEX SOCKET



Hex Acorn Socket
Locking Nuts

PART #	THREAD SIZE
206442	1/2"-20
206444	12mm x 1.25
206445	12mm x 1.50
206450	12mm x 1.75



E-T/Ultra Style Socket
Locking Nuts

PART #	THREAD SIZE
216444ET	12mm x 1.25
216445ET	12mm x 1.50

ALUMINUM LOCK



Aluminum Lock - 6 Spline
- Red

PART #	THREAD SIZE
AL221444RD	12mm x 1.25
AL221445RD	12mm x 1.50

*Please provide Color Code when ordering

WHEEL LOCKS

Locking Bolts

W
H
E
E
L

L
O
C
K
S

SLEEVE STYLE



Grade 12.9

Locking bolts have set the highest standards in the industry. All Cold Forged Locks Surpass Grade 12.9 in strength, are coated with a 96hrs Triple Nickel/Chrome Finish and 100% Manually and Visually Tested.

STRENGTH, BEAUTY and DEPENDABILITY all in one.

ADJUSTING

Having Options that can Serve Multiple Customers is what we do. We designed a wheel lock that can **MAXIMIZE** wheel options while reducing inventory and keep the wheel safely on the vehicle. Product is provided with our patent pending **Aligning Collar**.



Grade 12.9

SMALL DIAMETER



Provided with our **MARK OF PERFECTION**



Grade 12.9

Original 6-Spline Design now has a Lock Available. Provided with a key that is able to remove both the original 6-Spline and the 5-Spline Lock is an **ENGINEERING MARVEL**. All 5-Spline Locks are provided with TPI logo so the customer is assured **TPI QUALITY and ENGINEERING**.

We put our MARK on this Industry.

SPINNING

If you need a product close to a Full-time Defense System for your wheels, we have **Spinning Lock** as the answer. The affixed free spinning collar removes the thief's ability to grasp the lock. Provided with our patent pending **Aligning Collar**.

Thieves go home EMPTY HANDED.



Grade 12.9





Locking Bolts

SLEEVE STYLE CONE SEAT



0.93"
24mm

Locking Bolt - Cone Seat

PART #	THREAD SIZE
672093F	12mm x 1.25 x 0.93"
675093F	12mm x 1.50 x 0.93"



1.05"
27mm

Locking Bolt - Cone Seat

PART #	THREAD SIZE
675105F	12mm x 1.50 x 1.05"
674105F	14mm x 1.50 x 1.05"



1.10"
28mm

Locking Bolt - Cone Seat

PART #	THREAD SIZE
675110F	12mm x 1.50 x 1.10"
676110F	12mm x 1.75 x 1.10"
674110F	14mm x 1.50 x 1.10"



1.25"
32mm

Locking Bolt - Cone Seat

PART #	THREAD SIZE
674125F	14mm x 1.50 x 1.25"



1.30"
33mm

Locking Bolt - Cone Seat

PART #	THREAD SIZE
675130F	12mm x 1.50 x 1.30"



1.60"
40mm

Locking Bolt - Cone Seat

PART #	THREAD SIZE
675160F	12mm x 1.50 x 1.60"



2.17"
55mm

Locking Bolt - Cone Seat - Black

PART #	THREAD SIZE
672217F/BC	12mm x 1.25 x 2.17"



1.05"
27mm

Spinning Locking Bolt

PART #	THREAD SIZE
674105X	14mm x 1.50 x 1.05"



1.10"
28mm

Spinning Locking Bolt

PART #	THREAD SIZE
675110X	12mm x 1.50 x 1.10"
676110X	12mm x 1.75 x 1.10"

WHEEL LOCKS



Locking Bolts



SLEEVE STYLE CONE SEAT



Adjusting Locking Bolt

PART #	THREAD SIZE
674100AD	14mm x 1.50 x 1.00"



Adjusting Locking Bolt

PART #	THREAD SIZE
672126AD	12mm x 1.25 x 1.26"
675126AD	12mm x 1.50 x 1.26"
674126AD	14mm x 1.50 x 1.26"



Sliding Locking Bolt

PART #	THREAD SIZE
672126SL	12mm x 1.25 x 1.26"
675126SL	12mm x 1.50 x 1.26"
674126SL	14mm x 1.50 x 1.26"

SLEEVE STYLE BALL SEAT



Locking Bolt - Ball Seat

PART #	THREAD SIZE
685080F	12mm x 1.50 x 0.80"



Locking Bolt - Ball Seat

PART #	THREAD SIZE
685100F	12mm x 1.50 x 1.00"



Locking Bolt - Ball Seat

PART #	THREAD SIZE
684105F	14mm x 1.50 x 1.05"



Locking Bolt - Ball Seat

PART #	THREAD SIZE
685110F	12mm x 1.50 x 1.10"
686110F	12mm x 1.75 x 1.10"



Locking Bolt - Ball Seat

PART #	THREAD SIZE
684125F	14mm x 1.50 x 1.25"



Locking Bolt - Ball Seat

PART #	THREAD SIZE
685155F	12mm x 1.50 x 1.55"

WHEEL LOCKS





Locking Bolts

SLEEVE STYLE KEY



17mm or 19mm
19mm or 21mm

Lock Key

PART #	THREAD SIZE
1719XXKEY	17mm & 19mm
1921XXKEY	19mm & 21mm



17mm or 19mm
19mm or 21mm

Lock Key (No Sleeve)

PART #	THREAD SIZE
1719XXAD/SL-KEY	17mm & 19mm
1921XXAD/SL KEY	19mm & 21mm

ALIGNING COLLAR

PATENT PENDING



Provided with our Lock Key (No Sleeve)
Engineered for ease of USE

SMALL DIAMETER



5 Spline Tuner Locking Bolt - Cone Seat

PART #	THREAD SIZE
572110SD	12mm x 1.25 x 1.10"
575110SD	12mm x 1.50 x 1.10"
574110SD	14mm x 1.50 x 1.10"

*Thread Length up to 60mm



HEX SOCKET



Hex Socket Locking Bolt

PART #	THREAD SIZE
262100	12mm x 1.25 x 1.00"
265100	12mm x 1.50 x 1.00"
264100	14mm x 1.50 x 1.00"

PLATE LOCK



Plate Lock - Thread Type

PART #	THREAD SIZE
121608	6mm x 1.00 - 8L
121612	6mm x 1.00 - 12L
121620	6mm x 1.00 - 20L



Plate Lock - Screw Type

PART #	THREAD SIZE
121120	No. 10 - 16 - 20L

WHEEL LOCKS



Cap Locks

W
H
E
E
L

L
O
C
K
S



Cap Lock - Cone Seat
(Small Head) 1/2.7mm

PART #	THREAD SIZE
171942	8mm x 1.25 - 19L



Cap Lock - Cone Seat
(Small Head) 1/2.7mm

PART #	THREAD SIZE
173145	8mm x 1.25 - 31L



Cap Lock - Cone Seat
(Small Head) 1/2.7mm

PART #	THREAD SIZE
173860	8mm x 1.25 - 38L



Cap Lock - Cone Seat
(Small Head) 1/2.7mm

PART #	THREAD SIZE
174864	8mm x 1.25 - 48L



Cap Lock - Cone Seat
(Small Head) 1/2.7mm

PART #	THREAD SIZE
177666	8mm x 1.25 - 76L



Cap Lock - Cone Seat
(Small Head) 1/2.7mm

PART #	THREAD SIZE
177661	5/16" - 18 - 3.0"L



Cap Lock - Pan Head
1/5.5mm

PART #	THREAD SIZE
183841	8mm x 1.25 - 38L



Cap Lock - Thin Head
1/2.2mm

PART #	THREAD SIZE
183851	8mm x 1.25 - 38L



Cap Lock - Cone Seat
1/5.7mm

PART #	THREAD SIZE
174544	8mm x 1.25 - 45L



Thin-Walled Sockets

SOCKETS & ADAPTERS

Material - Chrome Vanadium
 Finish - Triple Nickel/Chrome
 Durability - Nickel/Chrome 96hr salt spray
 Hardness Treatment - Through treatment
 Design - 1pc Cold Forged



Thin Wall Socket

PART # 783012 SIZE 7/8" Hex



Thin Wall Socket

PART # 103012 SIZE 1" Hex



Thin Wall Socket

PART # 133012 SIZE 13/16" Hex



Thin Wall Socket

PART # 173012 SIZE 17mm Hex



Thin Wall Socket

PART # 343012 SIZE 3/4" Hex



Thin Wall Socket

PART # 163012 SIZE 1-1/16" Hex

Remove Fasteners With



Sockets & Adapters

SOCKETS & ADAPTERS

Lug Wrench Adapters

SOCKETS & ADAPTERS



Wrench Adapter

PART #	SIZE
342534	3/4" Male To 3/4" Female



Wrench Adapter

PART #	SIZE
342513	3/4" Male To 13/16" Female



Wrench Adapter

PART #	SIZE
132534	13/16" Male To 3/4" Female



Wrench Adapter

PART #	SIZE
132513	13/16" Male To 13/16" Female



Wrench Adapter

PART #	SIZE
782513	7/8" Male To 13/16" Female



Wrench Adapter

PART #	SIZE
782534	7/8" Male To 3/4" Female



Wrench Adapter

PART #	SIZE
782578	7/8" Male To 7/8" Female



Wrench Adapter

PART #	SIZE
179179DS	17mm & 19mm Male To 17mm & 19mm Female



Wrench Adapter

PART #	SIZE
341316DS	3/4" & 13/16" Male To 3/4" & 13/16" Female

Allen Studs

ALLEN STUDS

Material - ASTM 4140

Finish - Bright Zinc

Durability - 72hr salt spray

Hardness - Through treatment

Design - Allen hex key design



Allen Wheel Stud

PART #	THREAD SIZE
7772175	M12 x 1.25 x 1.75"



Allen Wheel Stud

PART #	THREAD SIZE
7775150	M12 x 1.50 x 1.50"



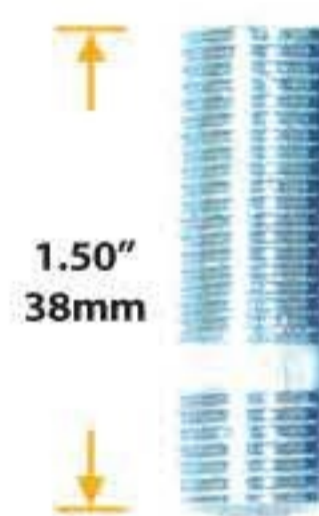
Allen Wheel Stud

PART #	THREAD SIZE
7775175	M12 x 1.50 x 1.75"



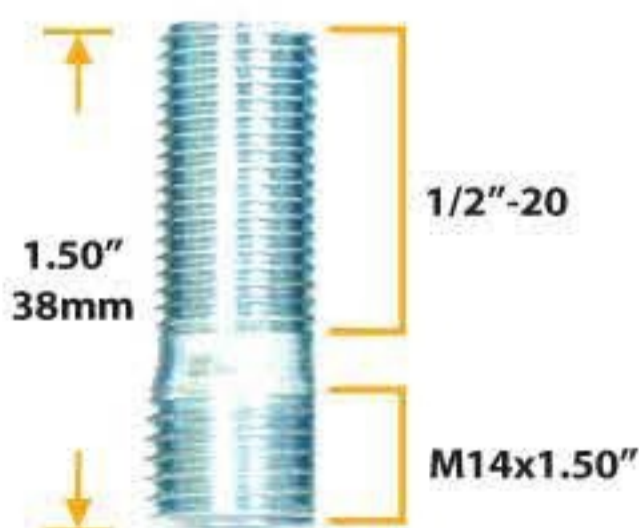
Allen Wheel Stud

PART #	THREAD SIZE
7775225	M12 x 1.50 x 2.25"



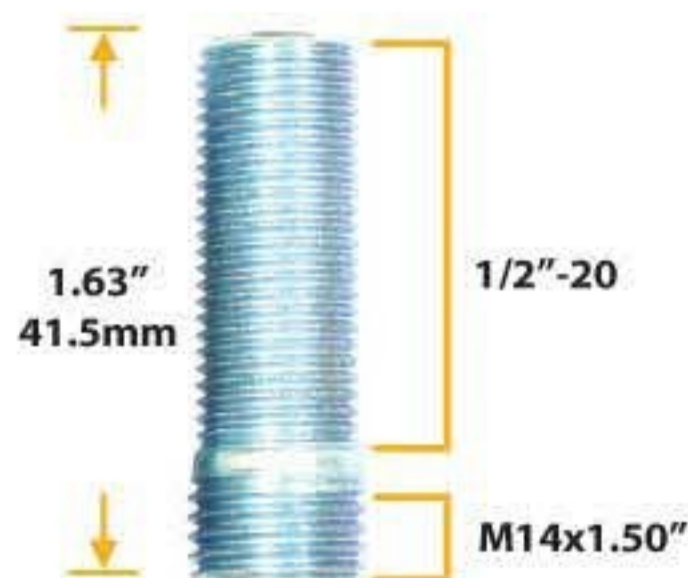
Allen Wheel Stud

PART #	THREAD SIZE
7778150	1/2" - 20 x 1.50"



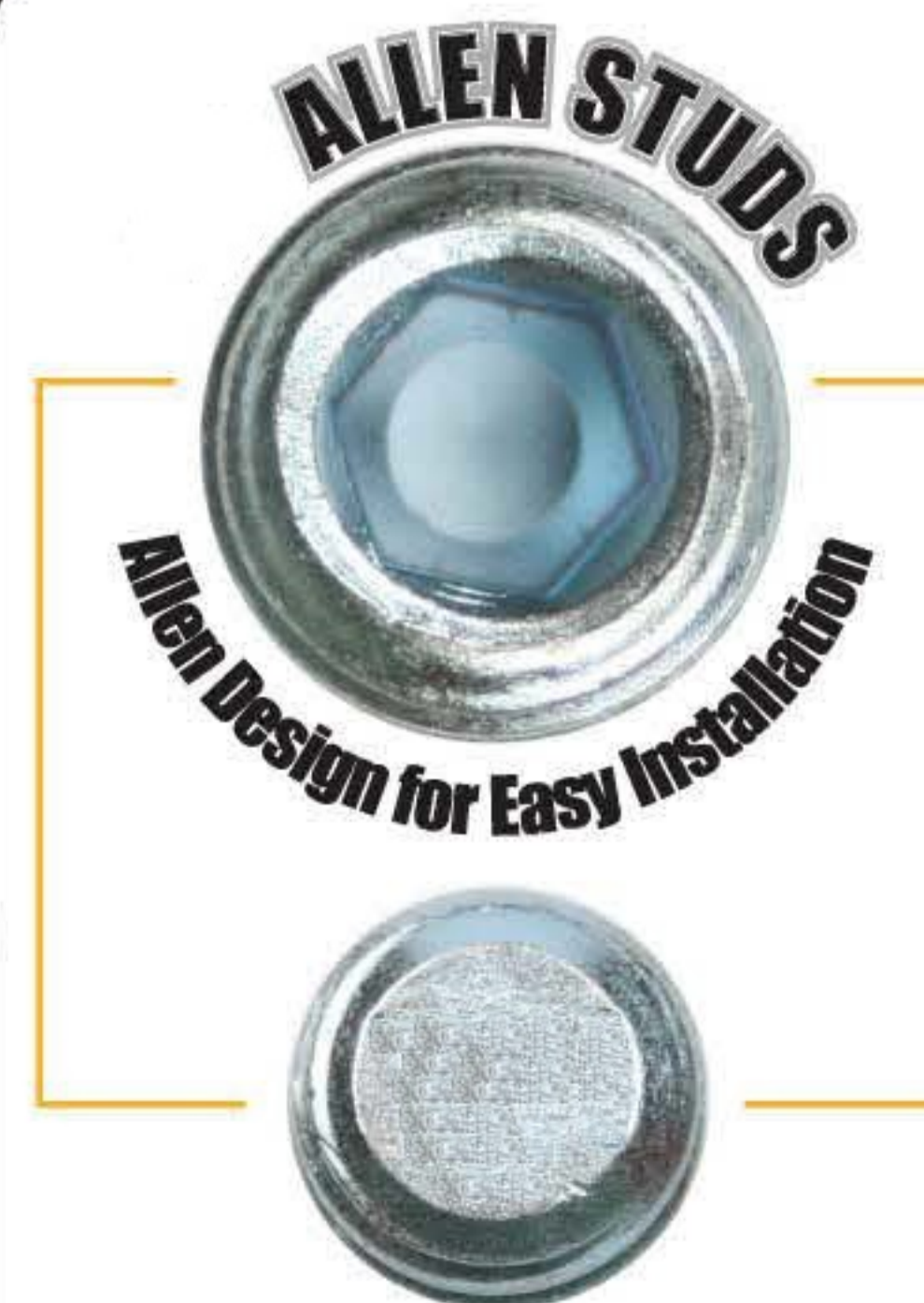
Allen Wheel Stud

PART #	THREAD SIZE
7774150	M14 x 1.50 - 1/2" - 20 x 1.50"



Allen Wheel Stud

PART #	THREAD SIZE
7774163	M14 x 1.50 - 1/2" - 20 x 1.63"



Stamped on Bottom

WHEEL STUDS

Color Coded Hub Rings

COLOR CODED HUB RINGS

Material - ABS Poly / Carbon Fiber

Finish - I.D. Color Coded for Quick Identification

Durability - Stainless Steel corrosion resistant

Durability - Brittleness at -40° C and Distortion at 100° C

Special - SURE-CLIPSM Design for secure Installation

THE
BIGGEST
SELECTION!



Precision made Hub Rings go beyond regular standards. Through a special process of adding Carbon Fiber to ABS Poly and Maintaining and Maintaining Strict Standards we are able to attain extremely accurate specifications.

We Keep those Wheels Running SMOOTH.

COLOR CODED HUB RINGS

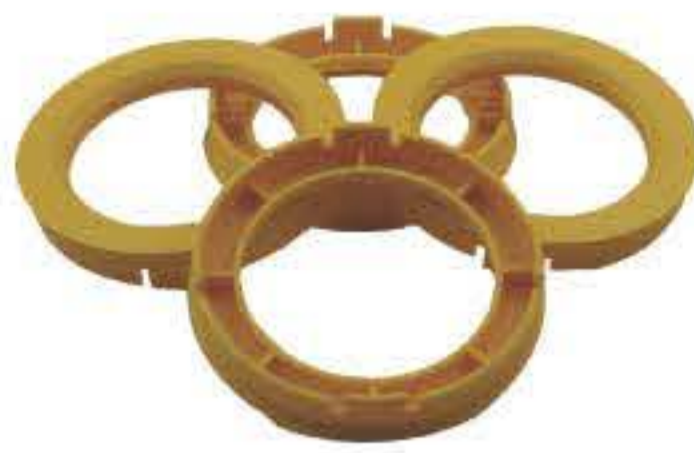
Color Coded Hub Rings

COLOR CODED HUB RINGS



Color-Coded Hub Rings
I.D. 52.10 - Black

PART #	O.D.	I.D.
6915210	69.1	52.10



Color-Coded Hub Rings
I.D. 54.10 - Yellow

PART #	O.D.	I.D.
6015410	60.1	54.10
6335410	63.3	54.10
6405410	64.0	54.10
6715410	67.1	54.10
6915410	69.1	54.10
7015410	70.1	54.10
7045410	70.4	54.10
7255410	72.5	54.10
7305410	73.0	54.10
7415410	74.1	54.10
7605410	76.0	54.10



Color-Coded Hub Rings
I.D. 56.15 - Ruby Red

PART #	O.D.	I.D.
6015615	60.1	56.15
6335615	63.3	56.15
6405615	64.0	56.15
6715615	67.1	56.15
6915615	69.1	56.15
7015615	70.1	56.15
7045615	70.4	56.15
7255615	72.5	56.15
7305615	73.0	56.15
7415615	74.1	56.15
7605615	76.0	56.15



Color-Coded Hub Rings
I.D. 56.60 - Reflex Blue

PART #	O.D.	I.D.
6015660	60.1	56.60
6335660	63.3	56.60
6405660	64.0	56.60
6715660	67.1	56.60
6915660	69.1	56.60
7015660	70.1	56.60
7045660	70.4	56.60
7255660	72.5	56.60
7305660	73.0	56.60
7415660	74.1	56.60
7605660	76.0	56.60



Color-Coded Hub Rings
I.D. 57.10 - Green

PART #	O.D.	I.D.
6015710	60.1	57.10
6335710	63.3	57.10
6405710	64.0	57.10
6715710	67.1	57.10
6915710	69.1	57.10
7015710	70.1	57.10
7045710	70.4	57.10
7255710	72.5	57.10
7305710	73.0	57.10
7415710	74.1	57.10
7605710	76.0	57.10



Color-Coded Hub Rings
I.D. 58.10 - Lemon Yellow

PART #	O.D.	I.D.
6015810	60.1	58.10
6335810	63.3	58.10
6405810	64.0	58.10
6715810	67.1	58.10
6915810	69.1	58.10
7015810	70.1	58.10
7045810	70.4	58.10
7255810	72.5	58.10
7305810	73.0	58.10
7415810	74.1	58.10
7605810	76.0	58.10



Color-Coded Hub Rings
I.D. 58.60 - Black

PART #	O.D.	I.D.
6915860	69.1	58.60
7305860	73.0	58.60



Color-Coded Hub Rings
I.D. 59.10 - Sea Foam Green

PART #	O.D.	I.D.
6015910	60.1	59.10
6335910	63.3	59.10
6405910	64.0	59.10
6715910	67.1	59.10
6915910	69.1	59.10
7015910	70.1	59.10
7045910	70.4	59.10
7255910	72.5	59.10
7305910	73.0	59.10
7415910	74.1	59.10
7605910	76.0	59.10



Color-Coded Hub Rings
I.D. 59.60 - Black

PART #	O.D.	I.D.
6915960	69.1	59.60

Color Coded Hub Rings



Color-Coded Hub Rings
I.D. 60.10 - Process Blue

PART #	O.D.	I.D.
6336010	63.3	60.10
6406010	64.0	60.10
6716010	67.1	60.10
6916010	69.1	60.10
7016010	70.1	60.10
7046010	70.4	60.10
7256010	72.5	60.10
7306010	73.0	60.10
7416010	74.1	60.10
7606010	76.0	60.10



Color-Coded Hub Rings
I.D. 63.40 - Brown

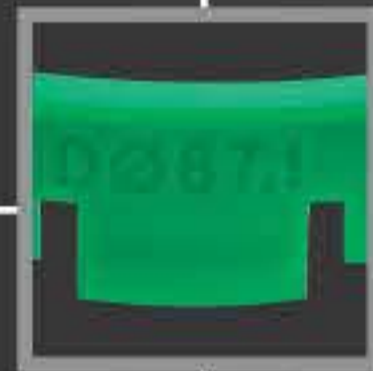
PART #	O.D.	I.D.
6716340	67.1	63.40
6916340	69.1	63.40
7016340	70.1	63.40
7046340	70.4	63.40
7256340	72.5	63.40
7306340	73.0	63.40
7416340	74.1	63.40
7606340	76.0	63.40



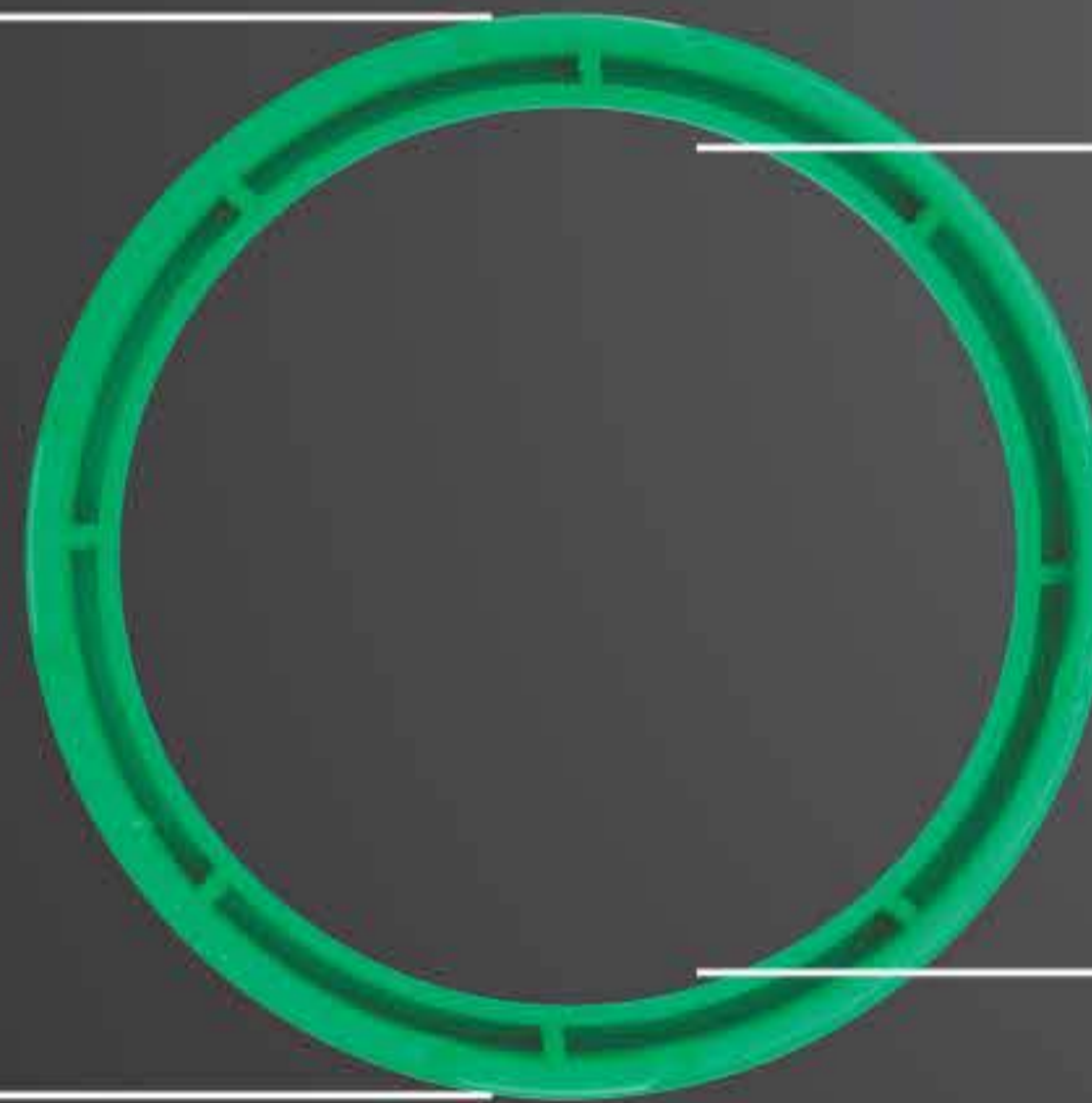
Color-Coded Hub Rings
I.D. 64.15 - Pink

PART #	O.D.	I.D.
6716415	67.1	64.15
6916415	69.1	64.15
7016415	70.1	64.15
7046415	70.4	64.15
7256415	72.5	64.15
7306415	73.0	64.15
7416415	74.1	64.15
7606415	76.0	64.15

O.D. Hub Size



67.1



Part #6715710

I.D. Hub Size



57.10

HOW TO DETERMINE PART NUMBER



Color-Coded Hub Rings
I.D. 65.10 - Olive Green

PART #	O.D.	I.D.
6716510	67.1	65.10
6916510	69.1	65.10
7016510	70.1	65.10
7046510	70.4	65.10
7256510	72.5	65.10
7306510	73.0	65.10
7416510	74.1	65.10
7606510	76.0	65.10



Color-Coded Hub Rings
I.D. 66.10 - Purple

PART #	O.D.	I.D.
6916610	69.1	66.10
7016610	70.1	66.10
7046610	70.4	66.10
7256610	72.5	66.10
7306610	73.0	66.10
7416610	74.1	66.10
7606610	76.0	66.10



Color-Coded Hub Rings
I.D. 66.60 - Gray

PART #	O.D.	I.D.
6916660	69.1	66.60
7016660	70.1	66.60
7046660	70.4	66.60
7256660	72.5	66.60
7306660	73.0	66.60
7416660	74.1	66.60
7606660	76.0	66.60

COLOR CODED HUB RINGS

Color Coded Hub Rings

COLOR CODED HUB RINGS



Color-Coded Hub Rings
I.D. 67.20 - Orange

PART #	O.D.	I.D.
6916720	69.1	67.20
7016720	70.1	67.20
7046720	70.4	67.20
7256720	72.5	67.20
7306720	73.0	67.20
7416720	74.1	67.20
7606720	76.0	67.20



Color-Coded Hub Rings
I.D. 67.60 - Coffee Brown

PART #	O.D.	I.D.
6916760	69.1	67.60



Color-Coded Hub Rings
I.D. 70.10 - Black

PART #	O.D.	I.D.
7417010	74.1	70.10



Color-Coded Hub Rings
I.D. 70.50 - Black

PART #	O.D.	I.D.
7417050	74.1	70.50



Color-Coded Hub Rings
I.D. 71.60 - Black

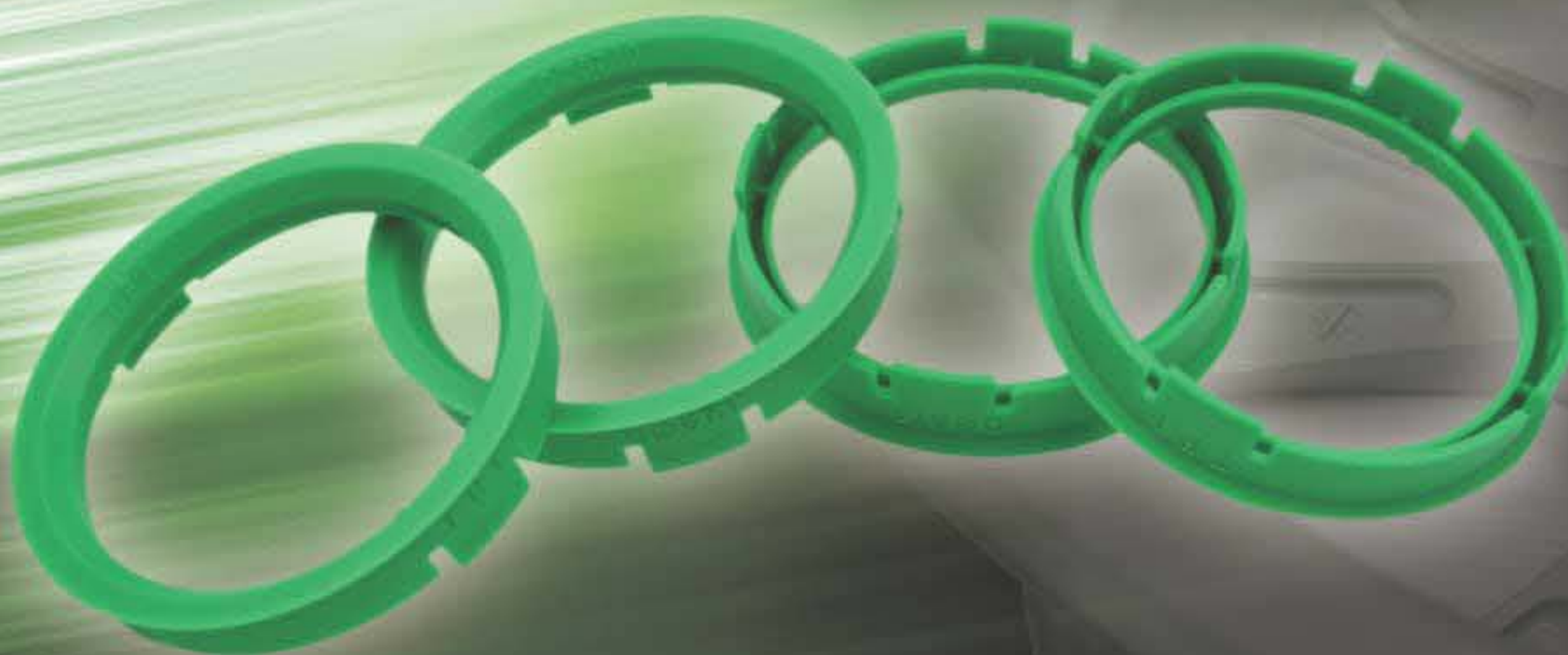
PART #	O.D.	I.D.
7257160	72.5	71.60
7307160	73.0	71.60
7417160	74.1	71.60
7607160	76.0	71.60



Color-Coded Hub Rings
I.D. 72.60 - Black

PART #	O.D.	I.D.
7417260	74.1	72.60
7607260	76.0	72.60

CONVENIENTLY PACKED



Our Standard
Packaging
is bagged
4 to a set.

Hub Ring Chart

SERIES 60-69

I.D.	NEW		NEW			
	O.D. 60.1	O.D. 63.3	O.D. 64.0	O.D. 67.1	O.D. 69.1	
52.10					6915210	
54.10	6015410	6335410	6405410	6715410	6915410	
56.15	6015615	6335615	6405615	6715615	6915615	
56.60	6015660	6335660	6405660	6715660	6915660	
57.10	6015710	6335710	6405710	6715710	6915710	
58.10	6015810	6335810	6405810	6715810	6915810	
58.60					6915860	
59.10	6015910	6335910	6405910	6715910	6915910	
59.60					6915960	
60.10		6336010	6406010	6716010	6916010	
63.40				6716340	6916340	
64.15				6716415	6916415	
65.10				6716510	6916510	
66.10					6916610	
66.60					6916660	
67.20					6916720	
67.60					6916760	

SERIES 70-76

I.D.	NEW				NEW	
	O.D. 70.1	O.D. 70.4	O.D. 72.5	O.D. 73.0	O.D. 74.1	O.D. 76.0
52.10						
54.10	7015410	7045410	7255410	7305410	7415410	7605410
56.15	7015615	7045615	7255615	7305615	7415615	7605615
56.60	7015660	7045660	7255660	7305660	7415660	7605660
57.10	7015710	7045710	7255710	7305710	7415710	7605710
58.10	7015810	7045810	7255810	7305810	7415810	7605810
58.60				7305860		
59.10	7015910	7045910	7255910	7305910	7415910	7605910
59.60						
60.10	7016010	7046010	7256010	7306010	7416010	7606010
63.40	7016340	7046340	7256340	7306340	7416340	7606340
64.15	7016415	7046415	7256415	7306415	7416415	7606415
65.10	7016510	7046510	7256510	7306510	7416510	7606510
66.10	7016610	7046610	7256610	7306610	7416610	7606610
66.60	7016660	7046660	7256660	7306660	7416660	7606660
67.20	7016720	7046720	7256720	7306720	7416720	7606720
67.60						
70.10					7417010	
70.50					7417050	
71.60			7257160	7307160	7417160	7607160
72.60					7417260	7607260

COLOR CODED HUB RINGS

WIK & Poly Bag

WIK BOX



The Wheel Installation Box can come in different shapes and sizes depending on your requirement for the product. We can specially design a box for you or we can provide you our current box dimension you can print everything you want on the box.

Minimum quantities and charges apply for personalized WIK Boxes.

POLY BAGS



We are able to poly bag our products according to your specifications with it either zip locked, hermetically sealed or applied with a header card for point of purchase display.

Minimum quantities and charges apply.

PACKAGING

Clam Shell



PACKAGING

Clam Shells

Our trademark design clam shells are available in universal 4 pc which allows most versatile range of product by just changing the inner tray. We also offer a range of larger clam shells to provide customer an entire set in one beautifully displayed clam.

Also able to design and fabricate company specific clamshells to put the extra uniqueness in your product packaging. Provided standard is top panel for smaller orders or if you want to personalize with your company information we will provide you the design dimensions and you will provide the final print design in AI format.

Minimum quantities and charges apply.